

Electronic pressure sensors
Nautilus XMLG

Catalogue
september

04



a brand of
Schneider
Electric



Telemecanique

Nautilus® type XML G

- Sales brochure *pages 2 and 3*
- **Nautilus®, type XML G for control circuits**
 - Presentation *page 4*
 - Characteristics *page 5*
- **Nautilus® Pressure transmitters, type XML G**
With analogue output 4-20 mA
Sizes from -1 to 1 bar (-14.5 à 14.5 psi)
 - References, Characteristics *page 6*
- **Nautilus® Pressure transmitters, type XML G**
With analogue output 4-20 mA
Sizes from 10 to 25 bar (145 à 362.5 psi)
 - References, Characteristics *page 7*
- **Nautilus® Pressure transmitters, type XML G**
With analogue output 4-20 mA
Sizes from 100 to 250 bar (1450 à 3625 psi)
 - References, Characteristics *page 8*
- **Nautilus® Pressure transmitters, type XML G**
With analogue output 4-20 mA
Size 400 bar (5800 psi)
 - References, Characteristics *page 9*
- **Nautilus® Pressure and vacuum switches, type XML G**
Sizes from -1 to 1 bar (-14.5 à 14.5 psi)
 - References, Characteristics *page 10*
- **Nautilus® Pressure switches, type XML G**
Sizes from 10 to 25 bar (11.6 à 362.5 psi)
 - References, Characteristics *page 11*
- **Nautilus® Pressure switches, type XML G**
Sizes from 100 to 250 bar (1450 à 3625 psi)
 - References, Characteristics *page 12*
- **Nautilus® Pressure switches, XML G**
Size 400 bar (5800 psi)
 - References, Characteristics *page 13*
- **Nautilus® Accessories and replacement part for sensors**
type XML G
 - References *page 14*
- **Nautilus® Transmitters and Pressure switches, type XML G**
For control circuits
 - Dimensions, schemes *page 15*



Simply Smart!

Leverage
ingenuity
and intelligence
for ease of use

Electronic pressure sensors Nautilus XMLG

Manufacturers, gain in performance by equipping your machine with the new Nautilus pressure transmitters and electronic pressure switches. Economical and extremely **compact**, allowing considerably more installation freedom in the machine, they offer excellent industrial qualities (robustness, accuracy and reliability).

Pressure transmitters

Analogue output, 4 - 20mA or 0 - 10V.
Sizes from -1 to 600 bar (-14.5 to 8700 psi).

Electronic pressure switches

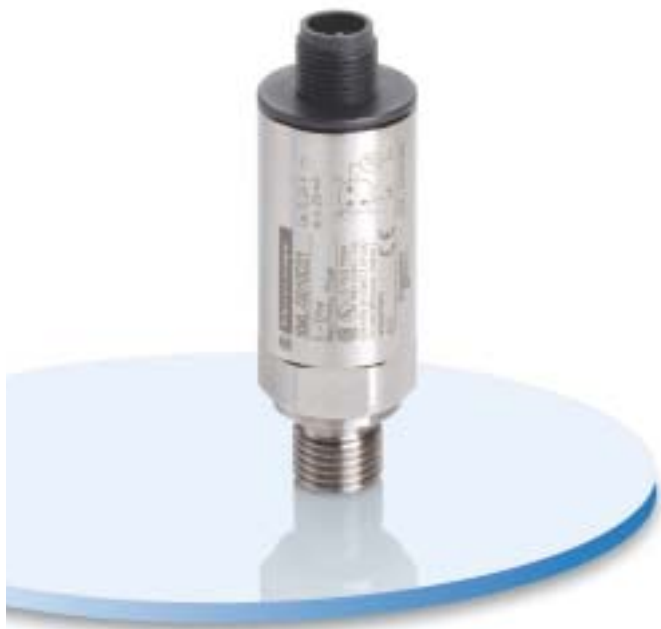
Solid-state NC PNP or NPN digital output.
Factory set switching thresholds.
Sizes from -1 to 600 bar (-14.5 to 8700 psi).

+ compact!

Telemecanique pressure transmitters and pressure switches feature the same enclosure format. It is condensed technology in a very confined space for better integration in the machine. They are particularly designed for repetitive applications, hence their availability in bulk packs.

+ reliable!

Transmitters and pressure switches meet the most stringent requirements of users relating to high mechanical performances (ceramic technology), electromagnetic compatibility (excellent EMC characteristics) and safety of operation (case and parts in contact with the environment in stainless steel).





Main applications:

- Pneumatic and hydraulic installations,
- injection presses,
- industrial compressors,
- machine tools,
- pumps,
- water treatment,
- automobile construction, etc.

Benefit from the *decisive advantages* of the XMLG range

- **Gain in space**
 - Compact construction simplifying installation in the machine
- **Gain in time**
 - Fast cabling using integrated quick connection system* or M12 connector
- **Gain in costs**
 - Economical, attractively priced and sold in lots (bulk packs of 25 products, minimum ordering quantity: 50 products)
- **Gain in performance**
 - Very long service life and long-term stability
 - Ceramic technology
 - Excellent EMC characteristics
 - Verified degree of protection: IP66, IP67
 - Accuracy only slightly affected by temperature
 - Wide temperature range
- **Gain in confidence**
 - Particularly suitable for demanding applications
 - Robust and safe product, excellent industrial quality
 - No fluid leakage in the event of the destruction pressure being exceeded
 - Short-circuit and reverse polarity protection
- **Gain in exports**
 - Conforms to standards and certifications: IEC, UL, CSA and CE marked for exporting your machines to the 4 corners of the world
 - Worldwide presence of Schneider Electric network.

On request, products can be customised:
other hydraulic connections instead of 1/4" male (NPT, female connection, etc.), other electrical connections, other pressure ranges (-1 to 600 bar), 0 - 10V analogue outputs, etc.
Please consult your Regional Sales Office.

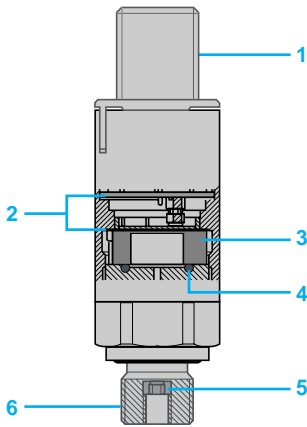


* Phoenix Contact Quickon type

Electronic pressure sensors

Nautilus[®], type XML G

For control circuits



Presentation

Pressure transmitters and pressure switches type XML G are characterised by their ceramic pressure measuring cell. The deformation caused by the pressure is transmitted to the resistors of a Wheatstone bridge silk-screened on the ceramic. The change in resistance is then processed by the integrated electronics for providing either a digital or analogue output signal.

- 1 Electrical connection, example: M12
- 2 Electronics with EMC protection
- 3 Ceramic measuring cell
- 4 Seals
- 5 Leakage protection
- 6 Threaded connection

Functions

Pressure transmitters have an analogue 4-20 mA or 0-10 V output that is proportional to the measuring range.

Pressure and vacuum switches have a solid-state NPN or PNP normally closed (NC) output.

An anti-leakage system integrated in products for pressures ≥ 40 bar prevents fluid leakage in the event of the measuring cell destruction pressure being exceeded.

These compact products that offer excellent EMC characteristics are particularly suited to difficult industrial environments.

The selling in lots is mainly intended for machine manufacturers.

Important ordering requirement

XML G pressure and vacuum switches are factory set, the upper and lower switching thresholds must be stated when ordering.

Environmental characteristics

Conformity to standards			CE IEC/EN 60947-1, IEC/EN 60947-5-1 EN 50081-1, EN 50082-2, EN 61000-6-2
Product certifications			UL, CSA
Rated supply voltage	Transmitters 4-20 mA	V	--- 12/24
	Pressure/vacuum switches		
	Transmitters 0-10 V	V	--- 24
Voltage limits	Transmitters 4-20 mA	V	--- 8...33
	Pressure/vacuum switches		
	Transmitters 0-10 V	V	--- 11.4...33
Current consumption	Pressure/vacuum switches	mA	< 4
	Transmitters	mA	< 20
Protective treatment			Standard version "TC"
Ambient air temperature	For operation	°C	- 15...+ 85
	For storage	°C	- 40...+ 85
Fluids or products controlled			Hydraulic oils, air, fresh water, sea water, corrosive fluids, from - 15... + 125 °C
Component materials of switch in contact with fluid			Ceramic Al ₂ O ₃ , stainless steel type AISI 303, FPM (Viton), PPS (Leakage protection for P > 40 bar)
Operating position			All positions
Vibration resistance			20 gn (9...2000 Hz) conforming to IEC 60068-2-6
Shock resistance			25 gn (half sine wave 11 ms) conforming to IEC 60068-2-27
Resistance to electromagnetic interference	Electrostatic discharges		Standard EN 61000-4-2, 15 kV in air, 8 kV on contact
	Radiated electromagnetic fields		Standard EN 61000-4-3, 200 V/m, 80...1000 MHz
	Fast transients		Standard EN 61000-4-4, 4 kV
	Surges		Standard EN 61000-4-5, 500 V 12 Ω, 1 kV 42 Ω
	Conducted disturbances, induced by radio-frequency fields		Standard EN 61000-4-6, 30 V 0.15...80 MHz
	Magnetic fields		Standard EN 61000-4-8, 30 A/m, 50 Hz
Electrical protection			Against reverse polarity and load short-circuit
Rated impulse withstand voltage		kV	0.5
Degree of protection			IP 66, IP 67 conforming to IEC/EN 60529, NEMA 4
Output response time		ms	< 2
Repeat accuracy			± 0.1% of the measuring range
Precision	Transmitters		Combined sum of linearity, hysteresis and repeat accuracy < ± 0.3% of the measuring range Setting tolerance of zero point and measuring range limit < ± 0.3% of the measuring range
	Pressure/vacuum switches		Setting accuracy < ± 1% of the measuring range
Drift	Of the zero point		< ± 0.015% of the measuring range/°C
	Of the sensitivity		< ± 0.015% of the measuring range/°C
Service life			In millions of operating cycles > 10
Fluid connection			G 1/4 A (1/4" BSP male) conforming to ISO7
Electrical connection			M12 connector or integrated connection (1)

(1) Phoenix Contact "Quickon" type integrated connection.

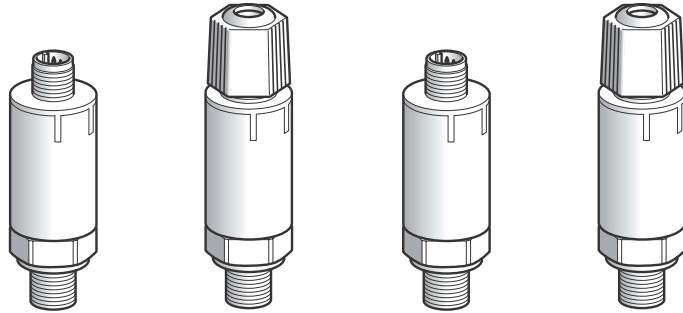
Electronic pressure sensors

Nautilus® Pressure transmitters, type XML G

With analogue output 4-20 mA

Sizes from -1 to 1 bar (-14.5 to 14.5 psi)

Units with analogue output



Pressure range (1)	-1...0 bar (-14.5...0 psi)		0...1 bar (0...14.5 psi)	
Type of electrical connection (2)	M12	Integrated quick connection (3)	M12	Integrated quick connection (3)

References

Sold in packs of:	1	XML GM01D21	–	XML G001D21	–
	bulk (4)	XML GM01D21TQ (4)	XML GM01Q21TQ (4)	XML G001D21TQ (4)	XML G001Q21TQ (4)
Fluid connection (5)	1/4" BSP male				
Weight (kg)	0.095	0.095	0.095	0.095	0.095

Complementary characteristics not shown under general characteristics

Rated supply voltage	≡ 12/24 V				
Voltage limits	≡ 8...33 V				
Analogue output (6)	4...20 mA, 2-wire technique				
Current consumption	< 20 mA				
Maximum permissible accidental pressure	2.7 bar (39.1 psi)		2.7 bar (39.1 psi)		
Destruction pressure	3 bar (43.5 psi)		3 bar (43.5 psi)		
Electrical connection	By connector	XML G●●D21 : M12, male, 3-pin. For suitable female connectors, including pre-wired versions, see pages 14 and 15			
	Integrated	XML G●●Q21 : Integrated quick connection (3)			

(1) Other pressure ranges, please consult us.

(2) Other connections (AMP connector, cable...), please consult us.

(3) Phoenix Contact "Quickon" type integrated connection.

(4) Sold in lots of 25, minimum quantity 50.

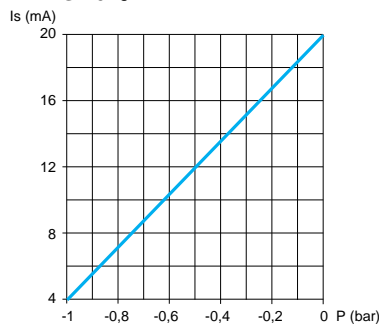
(5) Other fluid connections (1/4" BSP female, 1/4" NPT...), please consult us.

Materials in contact with fluid, see page 5.

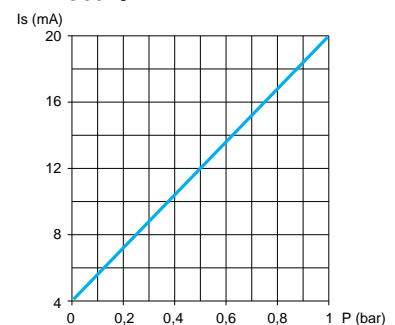
(6) To order a pressure transmitter with a 0...10 V analogue output, replace 21 in the reference by 71 (bulk packs only). Example: XML GM01D21TQ becomes **XML GM01D71TQ** with a 0...10 V analogue output.

Output curves

XML GM01●21



XML G001●21



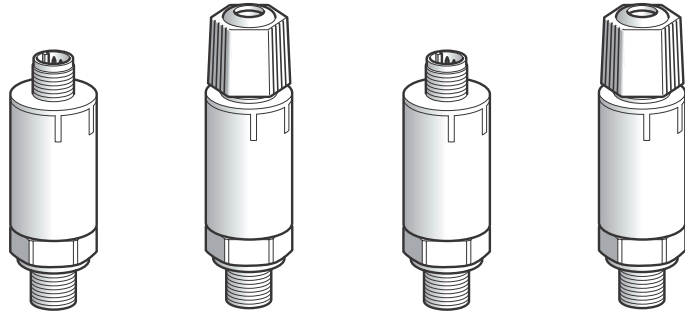
Electronic pressure sensors

Nautilus® Pressure transmitters, type XML G

With analogue output 4-20 mA

Sizes from 10 to 25 bar (145 to 362.5 psi)

Units with analogue output



Pressure range (1)	0...10 bar (0...145 psi)		0...25 bar (0...362.5 psi)	
Type of electrical connection (2)	M12	Integrated quick connection (3)	M12	Integrated quick connection (3)

References

Sold in packs of:	1	XML G010D21	–	XML G025D21	–
	bulk (4)	XML G010D21TQ (4)	XML G010Q21TQ (4)	XML G025D21TQ (4)	XML G025Q21TQ (4)
Fluid connection (5)	1/4" BSP male				
Weight (kg)	0.095	0.095	0.095	0.095	0.095

Complementary characteristics not shown under general characteristics

Rated supply voltage	= 12/24 V				
Voltage limits	= 8...33 V				
Analogue output (6)	4...20 mA, 2-wire technique				
Current consumption	< 20 mA				
Maximum permissible accidental pressure	22 bar (319 psi)		56 bar (812 psi)		
Destruction pressure	25 bar (362.5 psi)		62.5 bar (906.2 psi)		
Electrical connection	By connector	XML G●●●D21: M12, male, 3-pin. For suitable female connectors, including pre-wired versions, see pages 14 and 15			
	Integrated	XML G●●●Q21: Integrated quick connection (3)			

(1) Other pressure ranges, please consult us.

(2) Other connections (AMP connector, cable...), please consult us.

(3) Phoenix Contact "Quickon" type integrated connection.

(4) Sold in lots of 25, minimum quantity 50.

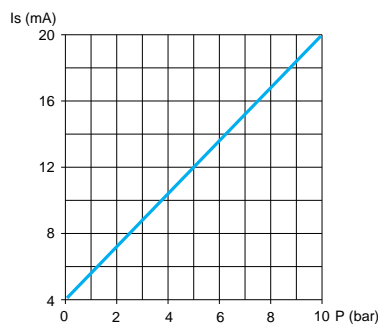
(5) Other fluid connections (1/4" BSP female, 1/4" NPT...), please consult us.

Materials in contact with fluid, see page 5

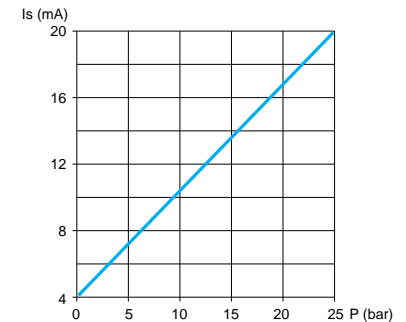
(6) To order a pressure transmitter with a 0...10 V analogue output, replace 21 in the reference by 71 (bulk packs only). Example: XML G010D21TQ becomes XML G010D71TQ with a 0...10 V analogue output.

Output curves

XML G010●21



XML G025●21



Electronic pressure sensors

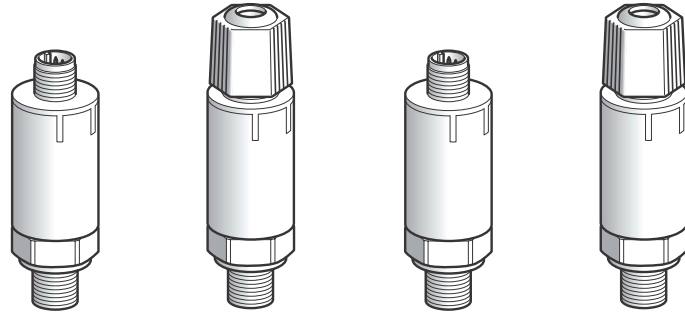
Nautilus® Pressure transmitters, type XML G

With analogue output 4-20 mA

Sizes from 100 to 250 bar (1450 to 3625 psi)

Units with analogue output

Analogue sensors



Pressure range (1)	0...100 bar (0...1450 psi)		0...250 bar (0...3625 psi)	
Type of electrical connection (2)	M12	Integrated quick connection (3)	M12	Integrated quick connection (3)

References

Sold in packs of:	1	XML G100D21	–	XML G250D21	–
	bulk (4)	XML G100D21TQ (4)	XML G100Q21TQ (4)	XML G250D21TQ (4)	XML G250Q21TQ (4)
Fluid connection (5)	1/4" BSP male				
Weight (kg)	0.095	0.095	0.095	0.095	0.095

Complementary characteristics not shown under general characteristics

Rated supply voltage	= 12/24 V				
Voltage limits	= 8...33 V				
Analogue output (6)	4...20 mA, 2-wire technique				
Current consumption	< 20 mA				
Maximum permissible accidental pressure	225 bar (3262.5 psi)		560 bar (8120 psi)		
Destruction pressure	250 bar (3625 psi)		625 bar (9062.5 psi)		
Electrical connection	By connector	XML G●●●D21 : M12, male, 3-pin. For suitable female connectors, including pre-wired versions, see pages 14 and 15			
	Integrated	XML G●●●Q21 : Integrated quick connection (3)			

(1) Other pressure ranges, please consult us.

(2) Other connections (AMP connector, cable...), please consult us.

(3) Phoenix Contact "Quickon" type integrated connection.

(4) Sold in lots of 25, minimum quantity 50.

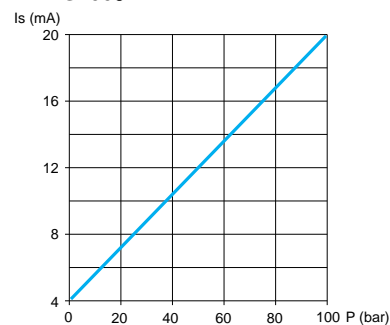
(5) Other fluid connections (1/4" BSP female, 1/4" NPT...), please consult us.

Materials in contact with fluid, see page 5.

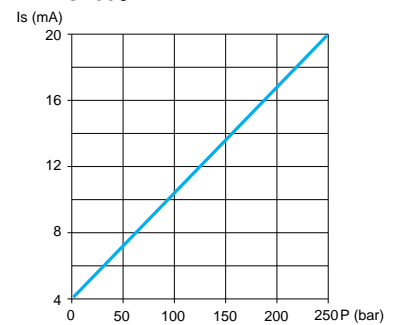
(6) To order a pressure transmitter with a 0...10 V analogue output, replace 21 in the reference by 71 (bulk packs only). Example: XML G100D21TQ becomes XML G100D71TQ with a 0...10 V analogue output.

Output curves

XML G100●21



XML G250●21



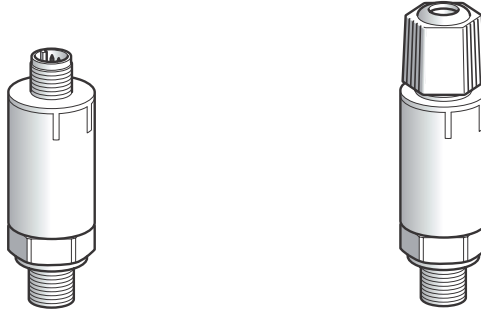
Electronic pressure sensors

Nautilus® Pressure transmitters, type XML G

With analogue output 4-20 mA

Size 400 bar (5800 psi)

Units with analogue output



Pressure range (1)	0...400 bar (0...5800 psi)	
Type of electrical connection (2)	M12	Integrated quick connection (3)

References

Sold in packs of:	1	XML G400D21	–
	bulk (4)	XML G400D21TQ (4)	XML G400Q21TQ (4)
Fluid connection (5)	1/4" BSP male		
Weight (kg)	0.095		0.095

Complementary characteristics not shown under general characteristics

Rated supply voltage	= 12/24 V	
Voltage limits	= 8...33 V	
Analogue output (6)	4...20 mA, 2-wire technique	
Current consumption	< 20 mA	
Maximum permissible accidental pressure	800 bar (11600 psi)	
Destruction pressure	900 bar (13050 psi)	
Electrical connection	By connector	XML G●●D21 : M12, male, 3-pin. For suitable female connectors, including pre-wired versions, see pages 14 and 15
	Integrated	XML G●●Q21 : Integrated quick connection (3)

(1) Other pressure ranges, please consult us.

(2) Other connections (AMP connector, cable...), please consult us.

(3) Phoenix Contact "Quickon" type integrated connection.

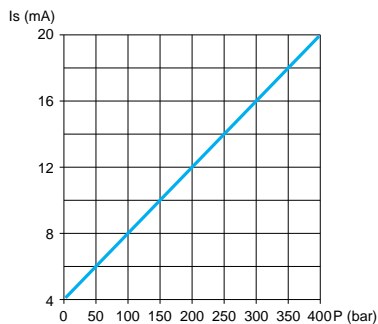
(4) Sold in lots of 25, minimum quantity 50.

(5) Other fluid connections (1/4" BSP female, 1/4" NPT...), please consult us.
Materials in contact with fluid, see page 5.

(6) To order a pressure transmitter with a 0...10 V analogue output, replace 21 in the reference by 71 (bulk packs only). Example: XML G400D21TQ becomes **XML G400D71TQ** with a 0...10 V analogue output.

Output curves

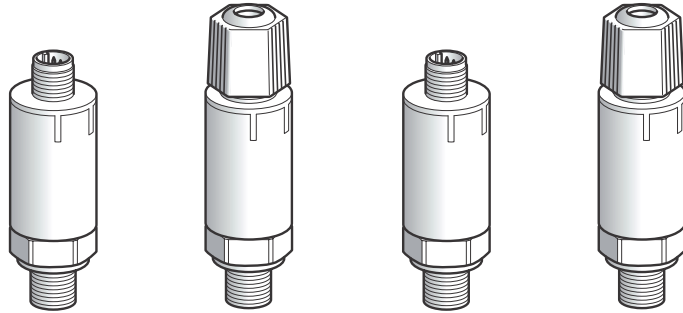
XML G400●21



Electronic pressure sensors

Nautilus® Pressure and vacuum switches, type XML G
Sizes from -1 to 1 bar (-14.5 to 14.5 psi)

Units with solid-state output (1)



Adjustable range of switching point (PH) Rising pressure (2) (8)	-0.08...-1 bar (-1.16...-14.5 psi)		0.08...1 bar (1.16...14.5 psi)	
Type of electrical connection (3)	M12	Integrated quick connection (4)	M12	Integrated quick connection (4)

References

Only sold in bulk packs (5)				
NPN output	XML GM01D31TQ (5)	XML GM01Q31TQ (5)	XML G001D31TQ (5)	XML G001Q31TQ (5)
PNP output	XML GM01D41TQ (5)	XML GM01Q41TQ (5)	XML G001D41TQ (5)	XML G001Q41TQ (5)
Fluid connection (6)	1/4" BSP male			
Weight (kg)	0.095	0.095	0.095	0.095

Complementary characteristics not shown under general characteristics

Switching thresholds (7)	Factory set			
Possible differential	min. at low setting	0.03 bar (0.44 psi)		0.03 bar (0.44 psi)
	min. at high setting	0.03 bar (0.44 psi)		0.03 bar (0.44 psi)
	max. at high setting	0.95 bar (13.77 psi)		0.95 bar (13.77 psi)
Maximum permissible accidental pressure	2.7 bar (39.1 psi)		2.7 bar (39.1 psi)	
Destruction pressure	3 bar (43.5 psi)		3 bar (43.5 psi)	
Rated supply voltage	--- 12/24 V			
Voltage limits	--- 8...33 V			
Output	Solid-state NPN or PNP, normally closed (NC)			
Switching capacity	150 mA			
Current consumption	< 4 mA			
Electrical connection	By connector	XML G●●D●●: M12, male, 3-pin. For suitable female connectors, including pre-wired versions, see pages 14 and 15		
	Integrated	XML G●●Q●●: Integrated quick connection (4)		

(1) Other types of output (normally open PNP, NPN...), please consult us.

(2) Other pressure ranges, please consult us.

(3) Other connections (AMP connector, cable...), please consult us.

(4) Phoenix Contact "Quickon" type integrated connection.

(5) Sold in lots of 25, minimum quantity 50.

(6) Fluids or products controlled: hydraulic oils, fresh water, sea water, air, corrosive fluids, from -15...+125 °C.

Materials in contact with fluid, see page 5.

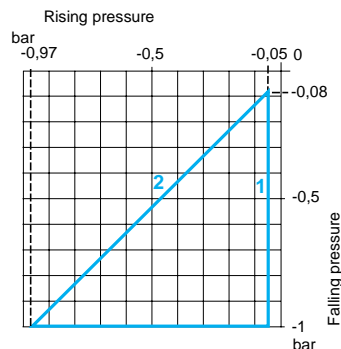
Other fluid connections (1/4" BSP female, 1/4" NPT...), please consult us.

(7) State the switching threshold settings when ordering.

(8) For vacuum switches (size -1 bar): adjustable range of switching point (PB) on falling pressure.

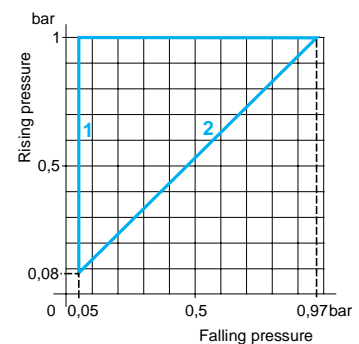
Operating curves

XML GM01●●1



- 1 Maximum differential
- 2 Minimum differential

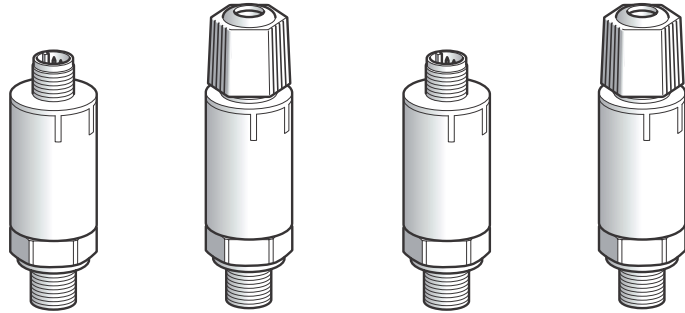
XML G001●●1



Electronic pressure sensors

Nautilus® Pressure switches, type XML G
Sizes from 10 to 25 bar (11.6 to 362.5 psi)

Units with solid-state output (1)



Adjustable range of switching point (PH) Rising pressure (2)	0.8...10 bar (11.6...145 psi)		2...25 bar (29...362.5 psi)	
Type of electrical connection (3)	M12	Integrated quick connection (4)	M12	Integrated quick connection (4)

References

Only sold in bulk packs (5)				
NPN output	XML G010D31TQ (5)	XML G010Q31TQ (5)	XML G025D31TQ (5)	XML G025Q31TQ (5)
PNP output	XML G010D41TQ (5)	XML G010Q41TQ (5)	XML G025D41TQ (5)	XML G025Q41TQ (5)
Fluid connection (6)	1/4" BSP male			
Weight (kg)	0.095	0.095	0.095	0.095

Complementary characteristics not shown under general characteristics

Switching thresholds (7)	Factory set			
Possible differential	min. at low setting	0.3 bar (4.4 psi)		0.75 bar (10.9 psi)
	min. at high setting	0.3 bar (4.4 psi)		0.75 bar (10.9 psi)
	max. at high setting	9.5 bar (137.75 psi)		23.8 bar (345.1 psi)
Maximum permissible accidental pressure	22 bar (319 psi)		56 bar (812 psi)	
Destruction pressure	25 bar (362.5 psi)		62.5 bar (906.2 psi)	
Rated supply voltage	--- 12/24 V			
Voltage limits	--- 8...33 V			
Output	Solid-state NPN or PNP, normally closed (NC)			
Switching capacity	150 mA			
Current consumption	< 4 mA			
Electrical connection	By connector	XML G●●●D●●: M12, male, 3-pin. For suitable female connectors, including pre-wired versions, see pages 14 and 15		
	Integrated	XML-G●●●Q●●: Integrated quick connection (4)		

(1) Other types of output (normally open PNP, NPN...), please consult us.

(2) Other pressure ranges, please consult us.

(3) Other connections (AMP connector, cable...), please consult us.

(4) Phoenix Contact "Quickon" type integrated connection.

(5) Sold in lots of 25, minimum quantity 50.

(6) Fluids or products controlled: hydraulic oils, fresh water, sea water, air, corrosive fluids, from -15...+125 °C.

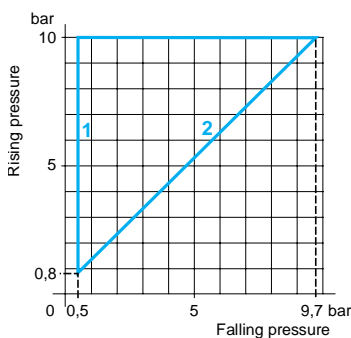
Materials in contact with fluid, see page 5.

Other fluid connections (1/4" BSP female, 1/4" NPT ...), please consult us.

(7) State the switching threshold settings when ordering.

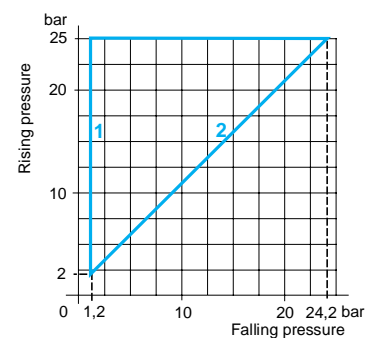
Operating curves

XML G010●●1



1 Maximum differential
2 Minimum differential

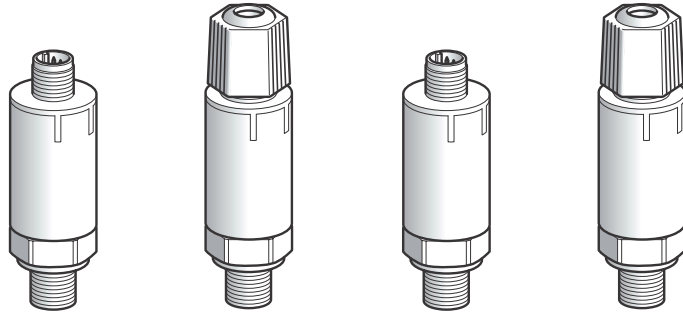
XML G025●●1



Electronic pressure sensors

Nautilus® Pressure switches, type XML G
Sizes from 100 to 250 bar (1450 to 3625 psi)

Units with solid-state output (1)



Adjustable range of switching point (PH) Rising pressure (2)	8...100 bar (11.6...1450 psi)		20...250 bar (29...3625 psi)	
Type of electrical connection (3)	M12	Integrated quick connection (4)	M12	Integrated quick connection (4)

References

Only sold in bulk packs (5)				
NPN output	XML G100D31TQ (5)	XML G100Q31TQ (5)	XML G250D31TQ (5)	XML G250Q31TQ (5)
PNP output	XML G100D41TQ (5)	XML G100Q41TQ (5)	XML G250D41TQ (5)	XML G250Q41TQ (5)
Fluid connection (6)	1/4" BSP male			
Weight (kg)	0.095	0.095	0.095	0.095

Complementary characteristics not shown under general characteristics

Switching thresholds (7)	Factory set		
Possible differential	min. at low setting	3 bar (43.5 psi)	7.5 bar (108.8 psi)
	min. at high setting	3 bar (43.5 psi)	7.5 bar (108.8 psi)
	max. at high setting	95 bar (1377.5 psi)	237.5 bar (3443.7 psi)
Maximum permissible accidental pressure	225 bar (3262.5 psi)		560 bar (8120 psi)
Destruction pressure	250 bar (3625 psi)		625 bar (9062.5 psi)
Rated supply voltage	--- 12/24 V		
Voltage limits	--- 8...33 V		
Output	Solid-state NPN or PNP, normally closed (NC)		
Switching capacity	150 mA		
Current consumption	< 4 mA		
Electrical connection	By connector	XML G●●D●●: M12, male, 3-pin. For suitable female connectors, including pre-wired versions, see pages 14 and 15	
	Integrated	XML G●●Q●●: Integrated quick connection (4)	

(1) Other types of output (normally open PNP, NPN...), please consult us.

(2) Other pressure ranges, please consult us.

(3) Other connections (AMP connector, cable...), please consult us.

(4) Phoenix Contact "Quickon" type integrated connection.

(5) Sold in lots of 25, minimum quantity 50.

(6) Fluids or products controlled: hydraulic oils, fresh water, sea water, air, corrosive fluids, from -15...+125 °C.

Materials in contact with fluid, see page 5.

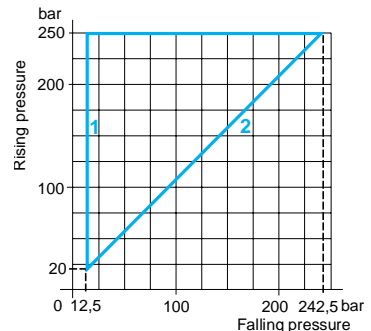
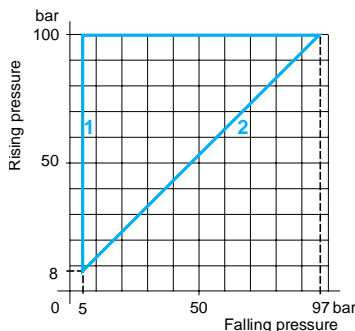
Other fluid connections (1/4" BSP female, 1/4" NPT...), please consult us.

(7) State the switching threshold settings when ordering.

Operating curves

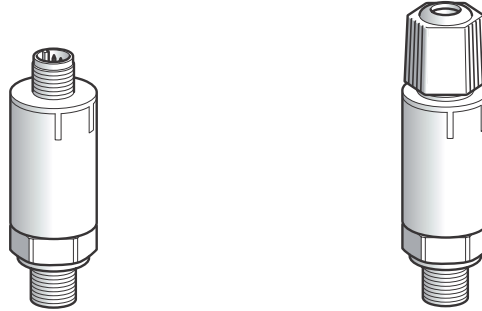
XML G100●●1TQ

XML G250●●1TQ



- 1 Maximum differential
- 2 Minimum differential

Units with solid-state output (1)



Adjustable range of switching point (PH) Rising pressure (2)	32...400 bar (464...5800 psi)	
Type of electrical connection (3)	M12	Integrated quick connection (4)
References		
Only sold in bulk packs (5)		
NPN output	XML G400D31TQ (5)	XML G400Q31TQ (5)
PNP output	XML G400D41TQ (5)	XML G400Q41TQ (5)
Fluid connection (6)	1/4" BSP male	
Weight (kg)	0.095	0.095

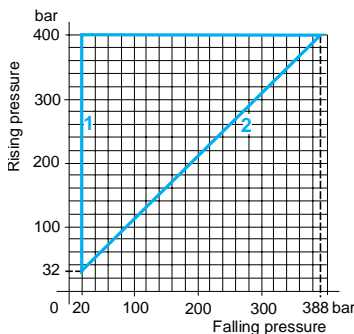
Complementary characteristics not shown under general characteristics

Switching thresholds (7)	Factory set	
Possible differential	min. at low setting	12 bar (174 psi)
	min. at high setting	12 bar (174 psi)
	max. at high setting	380 bar (5510 psi)
Maximum permissible accidental pressure	800 bar (11600 psi)	
Destruction pressure	900 bar (13050 psi)	
Rated supply voltage	--- 12/24 V	
Voltage limits	--- 8...33 V	
Output	Solid-state NPN or PNP, normally closed (NC)	
Switching capacity	150 mA	
Current consumption	< 4 mA	
Electrical connection	By connector	XML G400D41TQ: M12, male, 3-pin. For suitable female connectors, including pre-wired versions, see pages 14 and 15
	Integrated	XML G400Q41TQ: Integrated quick connection (4)

- (1) Other types of output (normally open PNP, NPN...), please consult us.
 (2) Other pressure ranges, please consult us.
 (3) Other connections (AMP connector, cable...), please consult us.
 (4) Phoenix Contact "Quickon" type integrated connection.
 (5) Sold in lots of 25, minimum quantity 50.
 (6) Fluids or products controlled: hydraulic oils, fresh water, sea water, air, corrosive fluids, from -15...+125 °C.
 Materials in contact with fluid, see page 5.
 Other fluid connections (1/4" BSP female, 1/4" NPT...), please consult us.
 (7) State the switching threshold settings when ordering.

Operating curve

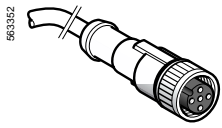
XML G40041TQ



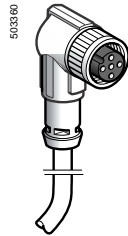
- 1 Maximum differential
 2 Minimum differential

Electronic pressure sensors

Nautilus® Accessories and replacement part for sensors type XML G



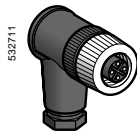
XZ CP1141L●



XZ CP1241L●



XZ CC12FDM40V



XZ CC12FCM40B



XML GZ001

Connection accessories

Description		Length of cable m	Reference	Weight kg
M12 "Snap-C", straight, female connector (1)		–	XZ CC12FDM40V	0.015
M12 female connector, metal clamping ring (2)	Straight	–	XZ CC12FDM40B	0.020
	Elbowed	–	XZ CC12FCM40B	0.020
Pre-wired M12 female connectors	Straight	2	XZ CP1141L2	0.090
		5	XZ CP1141L5	0.190
		10	XZ CP1141L10	0.370
	Elbowed	2	XZ CP1241L2	0.090
		5	XZ CP1241L5	0.190
		10	XZ CP1241L10	0.370

Replacement part

Description	Sold in lots of	Unit reference	Weight kg
Quick connection (3)	10	XML GZ001	0.025

(1) Connector incorporating IDCs (Insulation Displacement Connectors) for simple and quick direct, in-line, connection to cable, without the need of a screwdriver or soldering iron.

(2) Connector with screw terminal connections.

(3) Phoenix Contact "Quickon" type connection.

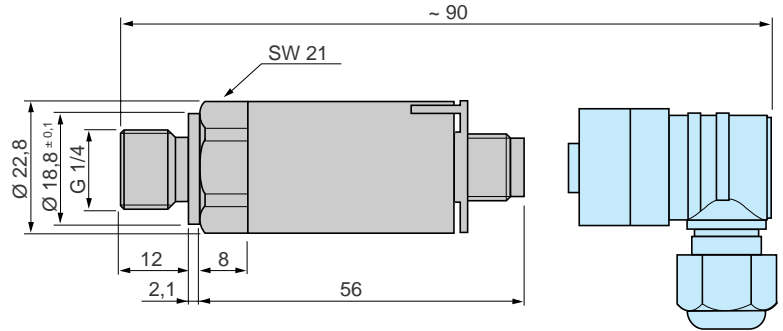
Electronic pressure sensors

Nautilus®

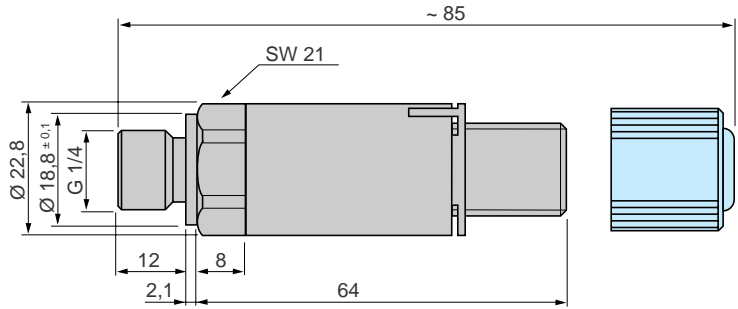
Transmitters and Pressure switches, type XML G
For control circuits

Dimensions

XML G●●●D●●, M12 x 1 connection



XML G●●●Q●●, integrated quick connection



Connector schemes (pressure sensor connector pin view)

Electronic pressure switches

Pressure transmitters

M12

Integrated quick connection

M12

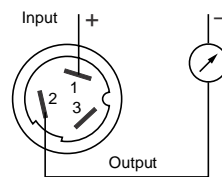
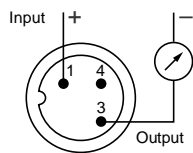
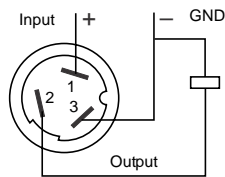
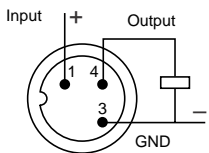
Integrated quick connection

3-wire technique (PNP)

3-wire technique (PNP)

2-wire technique (4-20 mA)

2-wire technique (4-20 mA)

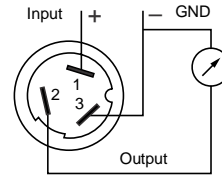
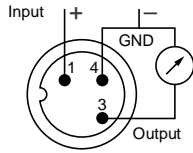
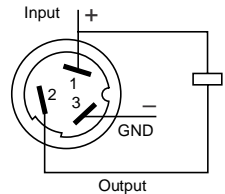
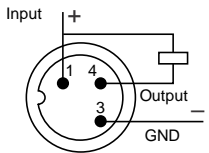


3-wire technique (NPN)

3-wire technique (NPN)

3-wire technique (0-10 V)

3-wire technique (0-10 V)



The efficiency of Telemecanique branded *solutions*

Used in combination, Telemecanique products provide quality solutions, meeting all your **Automation & Control** applications requirements.



A worldwide presence

Constantly available

- More than 5 000 points of sale in 130 countries.
- You can be sure to find the range of products that are right for you and which complies fully with the standards in the country where they are used.

Technical assistance wherever you are

- Our technicians are at your disposal to assist you in finding the optimum solution for your particular needs.
- Schneider Electric provides you with all necessary technical assistance, throughout the world.



Schneider Electric Industries SAS

Head Office
89, bd Franklin Roosevelt
92506 Rueil-Malmaison Cedex
FRANCE
www.schneider-electric.com
www.telemecanique.com

Due to evolution of standards and equipment, the characteristics indicated in texts and images of this document do not constitute a commitment on our part without confirmation.

Design: 3000.NR
Photos: Schneider Electric - Th. LAROCHE
Printed by:

Simply Smart !