

Replacement and Spare Parts Catalogue





Eldon. Enclosure solutions for you.



Eldon provides the right enclosure solution for virtually any application

Eldon's complete range of enclosures and accessories help to protect vital components in factories, airports and national electricity grids.



Eldon is dedicated to deliver the broadest range of optimum products of the highest quality and at the most competitive price to its customers. To deliver on that mission, every detail in our offers is addressed with the highest level of attention and importance. Every Eldon accessory has a major importance in the overall enclosure solution that we have committed to deliver to our customers.

Assembly services to reduce costs

To further support our customers, we take on assembly of our own accessories as well as the assembly of customer specific accessories. These can be sourced by the customer or developed together with the customer and purchased by Eldon. Our purpose with this service is to help customers reduce their costs by us taking over some of the labor-intensive assembly work. We are able to do this at Eldon thanks to our cost efficient labor and efficient assembly capabilities.

The process includes engineering with the customer, creating drawings and 3D CAD models, as well as the creation of prototypes to ensure meeting exact customer demands when it comes to price and functionality.

Your benefits:

- A full product range
- Wide range of standard enclosures and accessories
- Enclosures in different materials for many environments
- Full certification
- User friendly for panel builders and operators
- Hole making and cut-outs can be made at Eldon's Service Centers



Replacement and Spare Parts Catalogue

Listing Eldon's comprehensive range of replacement parts and spare parts, the catalogue has been designed to help customers identify at a glance the items they need.

01 Wall Mounted Enclosures

Overview	7
Mild steel	8
Stainless steel	12
Replacement parts	17
Spare parts	29



02 Floor Standing Enclosures

Overview	47
Mild steel	48
Stainless steel	56
Replacement parts	61
Spare parts	79





FRAGILE

Wall Mounted Enclosures

The wall mounted enclosures have been designed with the user in mind. Practical, efficient and with a wide range of standard sizes and accessories available from stock, the Wall Mounted enclosures offer a solution to virtually every application, or can be easily customised to suit specific requirements.

The stainless steel enclosures provide high resistance to corrosion and ensure performance of equipment. Intended for harsh environments, this range is the ideal solution for food and chemical industries, pharmaceutical plants, outdoor applications and marine environments.

Wall Mounted Enclosures

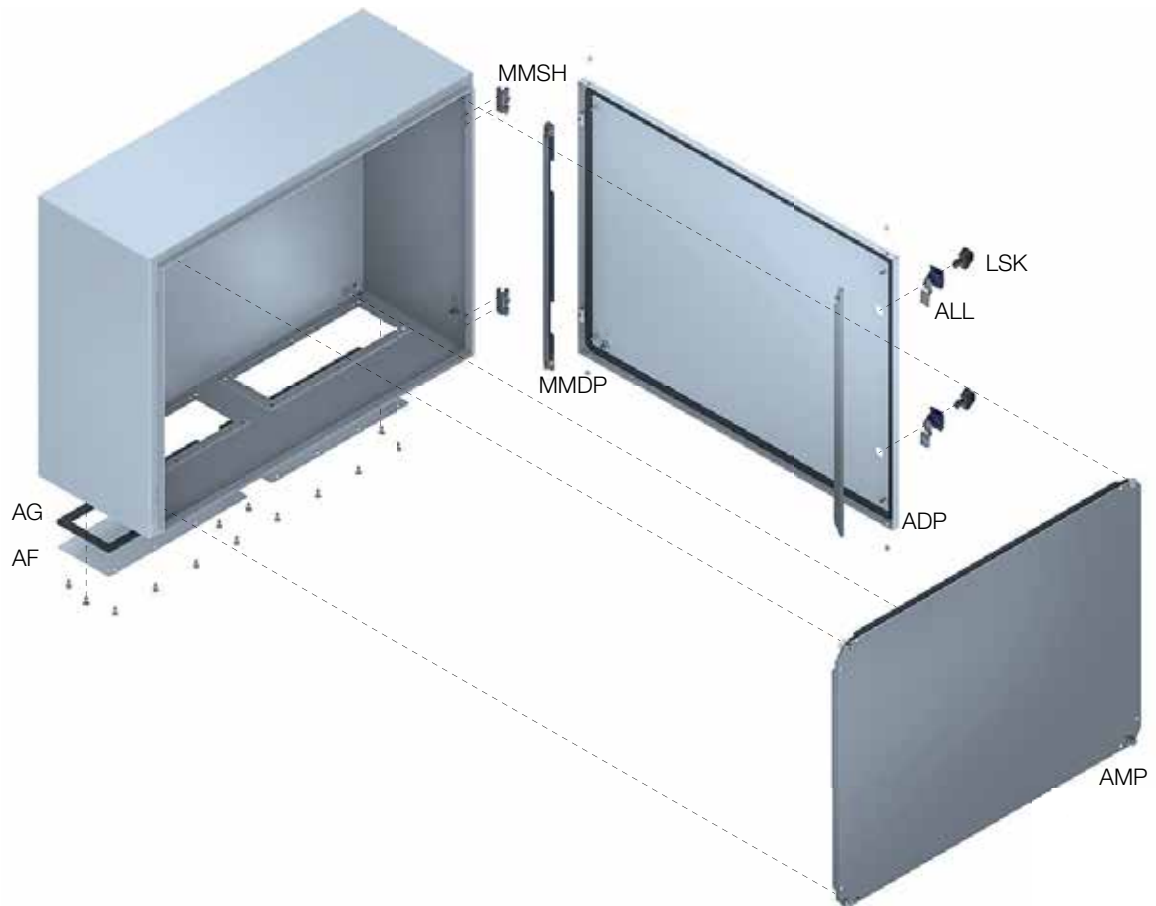
Overview	7
Mild steel	Single door MAS 8
	Double door enclosure MAD 10
	Panel MAP 11
Stainless steel	Single door enclosure ASR 12
	Double door enclosure ADR 14
	Single door enclosure, integrated hood AFS 15
Replacement parts	17
Spare parts	29

Wall Mounted Enclosures

Mild steel

Single door enclosure | MAS

Simple lock



Replacement part	Description	Page No.
ADP	MAS standard door	18
ALL	Standard lock	22
LSK	Standard key	23
MMSH	Standard hinges	24
AF	Standard gland plate	24
AG	Gland plate gasket	24
AMP	Mounting plate	25
MMDP	Door mounting profiles	26
MMAK	Accessories kit	27

Wall Mounted Enclosures

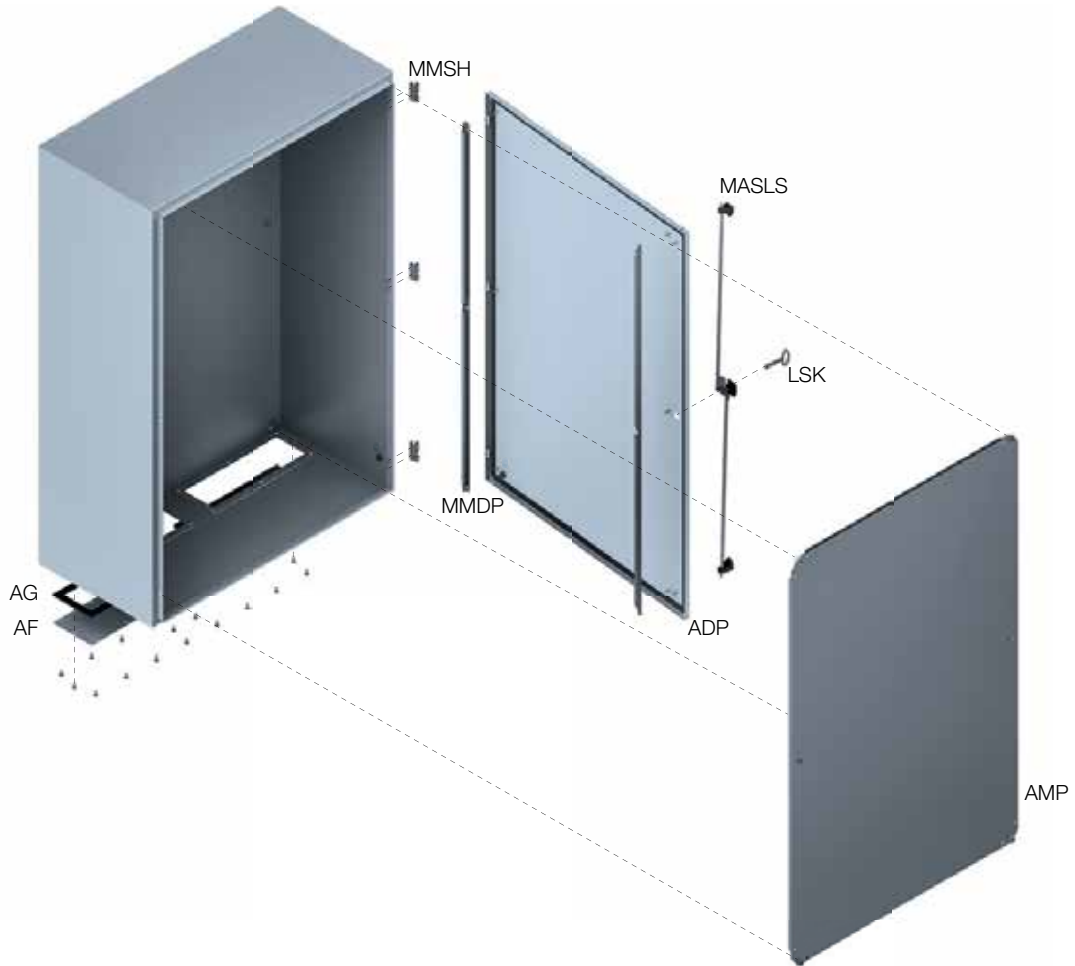
Mild steel

Single door enclosure | MAS

01

Wall Mounted Enclosures

3 points espagnolette locking system

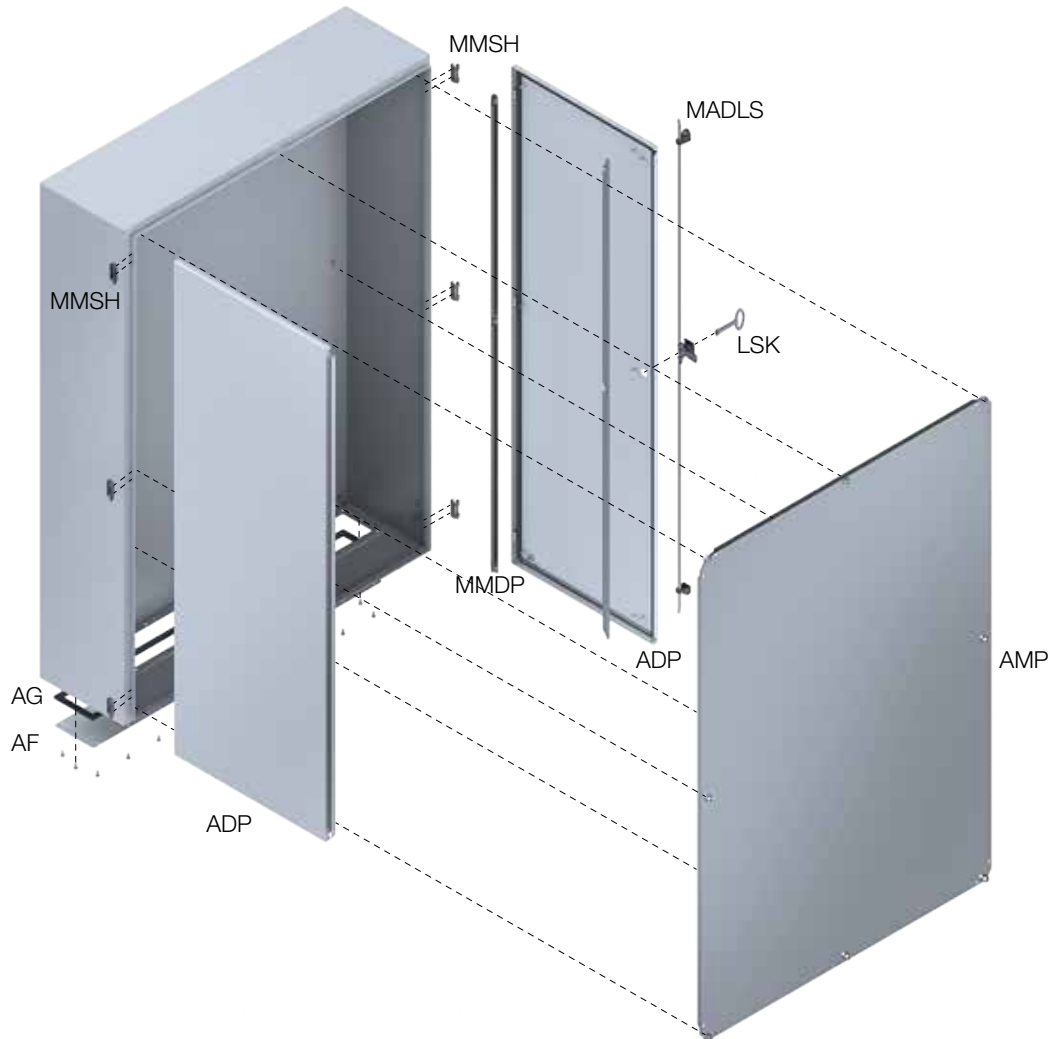


Replacement part	Description	Page No.
ADP	MAS standard door	18
MASLS	MAS standard espagnolette locking system	22
LSK	Standard key	23
MMSH	Standard hinges	24
AF	Standard gland plate	24
AG	Gland plate gasket	24
AMP	Mounting plate	25
MMDP	Door mounting profiles	26
MMAK	Accessories kit	27

Wall Mounted Enclosures

Mild steel

Double door enclosure | MAD

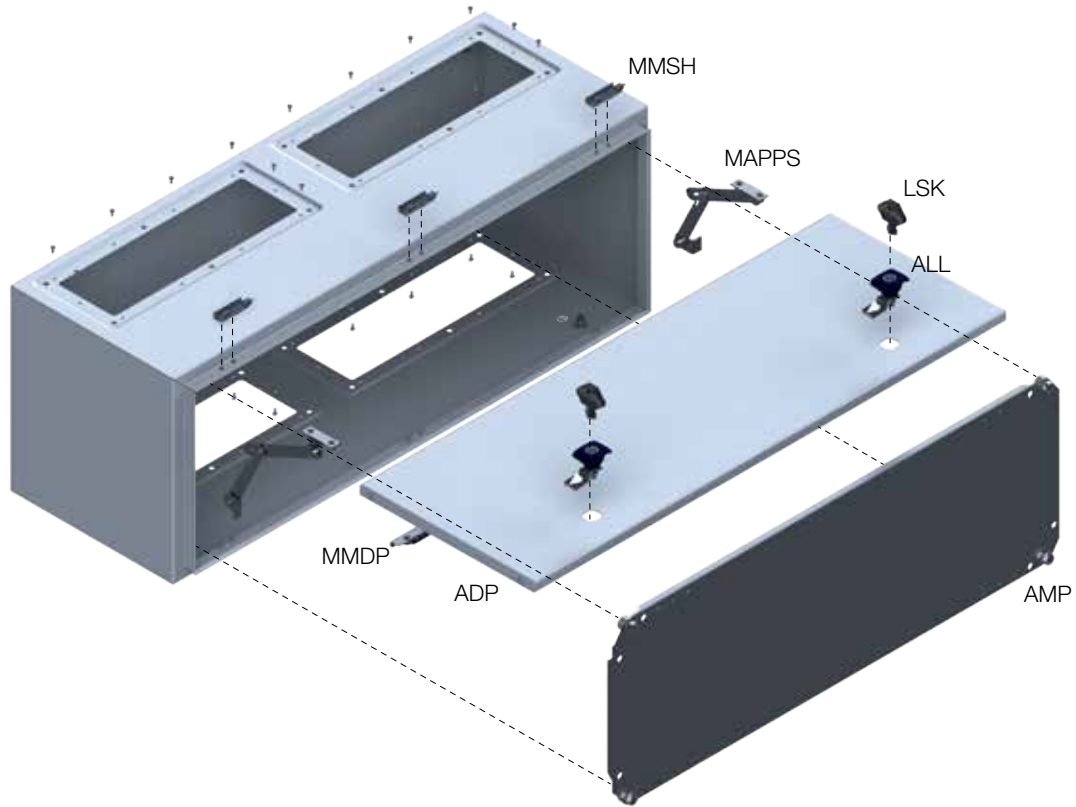


Replacement part	Description	Page No.
ADP	MAD standard door	19
MADLS	MAD standard espagnolette locking system	23
LSK	Standard key	23
MMSH	Standard hinges	24
AF	Standard gland plate	24
AG	Gland plate gasket	24
AMP	Mounting plate	25
MMDP	Door mounting profiles	26
MMAK	Accessories kit	27

Wall Mounted Enclosures

Mild steel

Panel | MAP



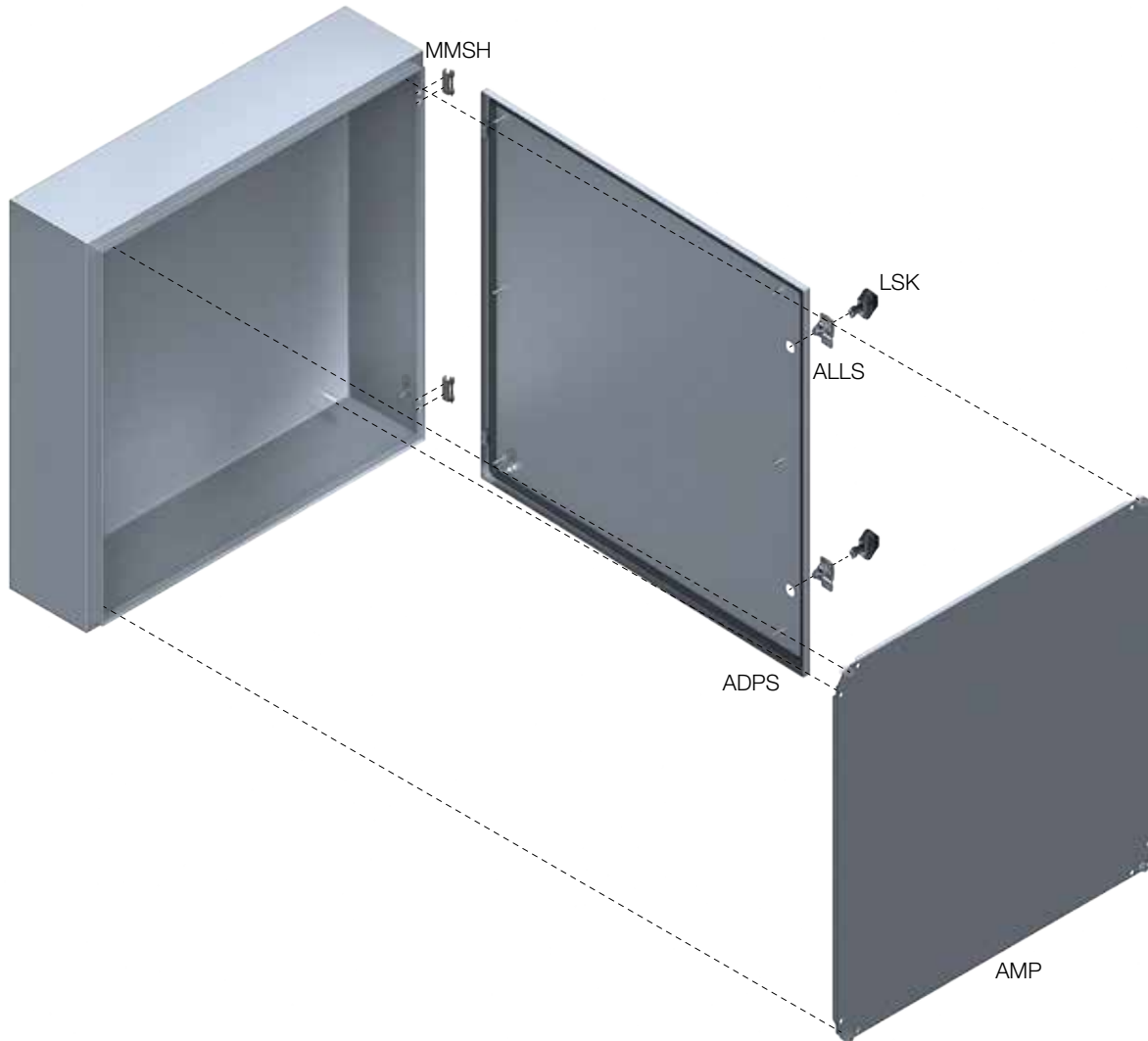
Replacement part	Description	Page No.
ADP	MAP standard door	19
ALL	Standard lock	22
LSK	Standard key	23
MMSH	Standard hinges	24
AMP	Mounting plate	25
MMDP	Door mounting profiles	26
MAPPS	MAP panel stay	27
MMAK	Accessories kit	27

Wall Mounted Enclosures

Stainless steel

Single door enclosure | ASR

Simple lock



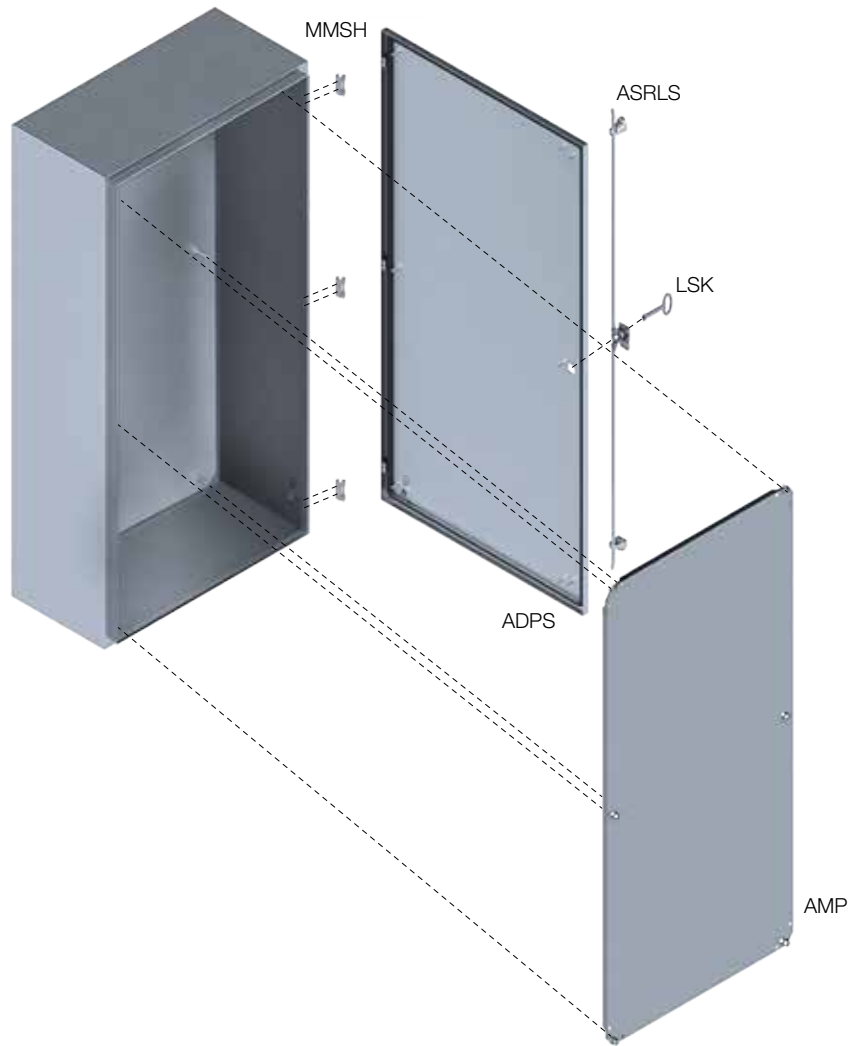
Replacement part	Description	Page No.
ADPS	ASR standard door	20
ALLS	ASR standard lock	22
LSK	Standard key	23
MMSH	Standard hinges	24
AMP	Mounting plate	25
MMAK	Accessories kit	27

Wall Mounted Enclosures

Stainless steel

Single door enclosure | ASR

3 points espagnolette locking system

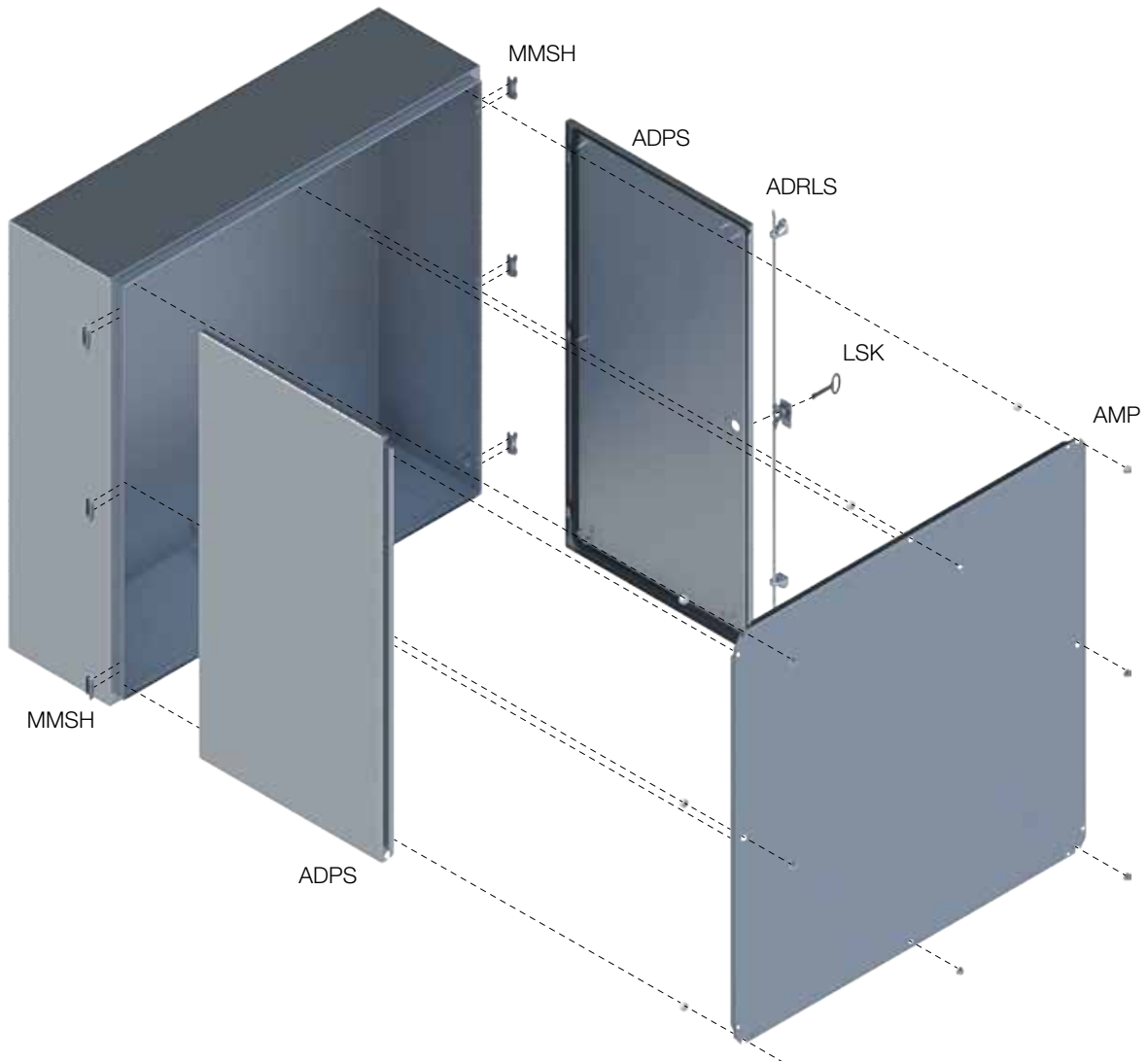


Replacement part	Description	Page No.
ADPS	ASR standard door	20
ASRLS	ASR standard espagnolette locking system	23
LSK	Standard key	23
MMSH	Standard hinges	24
AMP	Mounting plate	25
MMAK	Accessories kit	27

Wall Mounted Enclosures

Stainless steel

Double door enclosure | ADR



Replacement part	Description	Page No.
ADPS	ADR standard door	20
ADRLS	ADR standard espagnolette locking system	23
LSK	Standard key	23
MMSH	Standard hinges	24
AMP	Mounting plate	25
MMAK	Accessories kit	27

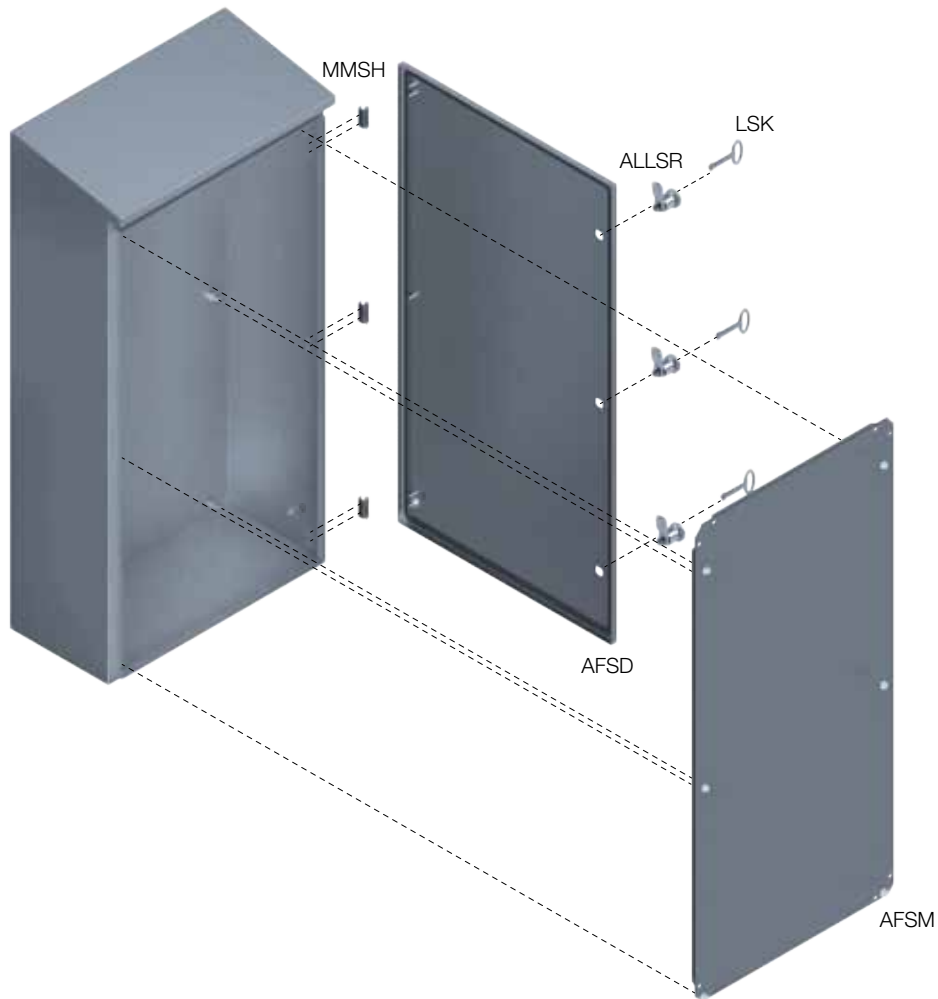
Wall Mounted Enclosures

Stainless steel

Single door enclosure, integrated hood | AFS

01

Wall Mounted Enclosures



Replacement part	Description	Page No.
AFSD	AFS standard door	21
ALLSR	AFS standard lock	22
LSK	Standard key	23
MMSH	Standard hinges	24
AFSM	AFS Mounting plate	26
MMAK	Accessories kit	27

ELDON

Standard Enclosure
Armour Standard
Canggih dan Inovatif

Standard-Schutzart
Standard Schutzart
microprocessor bewahrt

IP 66 / NEMA 4X 12 13 / IK 10

ASR1008030

Standard-Schutzart
Armour Standard
NEMA 4X

UL LISTED

UL LISTED
TYPE APPROVAL
ASR1008030
ASR1008030
ASR1008030
Date: 28.08.15



www.eldon.com

INSPECTED

ASR1008030

Wall Mounted Enclosures

Replacement parts

Replacement parts	17
MAS standard door ADP	18
MAD standard door ADP	19
MAP standard door ADP	19
ADR standard door ADPS	20
AFS standard door AFSD	21
Standard lock ALL	22
ASR standard lock ALLS	22
AFS standard lock ALLSR	22
MAS standard espagnolette locking system MASLS	22
MAD standard espagnolette locking system MADLS	23
ASR standard espagnolette locking system ASRLS	23
ADR standard espagnolette locking system ADRLS	23
Standard key LSK	23
Standard hinges MMSH	24
Standard gland plate AF	24
Gland plate gasket AG	24
Mounting plate AMP	25
AFS mounting plate AFSM	26
Door mounting profiles MMDP	26
MAP panel stay MAPPS	27
Accessories kit MMAK	27

Wall Mounted Enclosures

Replacement parts

MAS standard door | ADP

Description: Complete standard door for MAS enclosures. It includes standard locking system.

Material: Mild steel.

Finish: RAL7035 structure powder coating.

Pack quantity: 1 piece with mounting accessories.



Enclosure dimensions		Part No.
H	W	
200	200	ADP02020R5
250	200	ADP02520R5
	250	ADP02525R5
300	250	ADP03025R5
	300	ADP03030R5
350	250	ADP03525R5
400	300	ADP04030R5
	400	ADP04040R5
	500	ADP04050R5
	600	ADP04060R5
500	300	ADP05030R5
	400	ADP05040R5
	500	ADP05050R5
600	400	ADP06040R5
	500	ADP06050R5
	600	ADP06060R5
	800	ADP06080R5
700	500	ADP07050R5
800	400	ADP08040R5
	600	ADP08060R5
	800	ADP08080R5
1000	600	ADP10060R5
	800	ADP10080R5
1200	600	ADP12060R5
	800	ADP12080R5

Wall Mounted Enclosures

Replacement parts

01

Wall Mounted Enclosures

MAD standard door | ADP

Description: Complete standard door for MAD enclosures. It includes standard locking system.

Material: Mild steel.

Finish: RAL7035 structure powder coating.

Pack quantity: 1 piece with mounting accessories.

Enclosure dimensions		
H	W	Part No.
Right door		
600	800	ADP06080RR5
800	1200	ADP08012RR5
1000	1000	ADP10010RR5
1200	1000	ADP12010RR5
1400	1000	ADP14010RR5
Left door		
600	800	ADP06080LR5
800	1200	ADP08012LR5
1000	1000	ADP10010LR5
1200	1000	ADP12010LR5
1400	1000	ADP14010LR5



MAP standard door | ADP

Description: Complete standard door for MAP enclosures. It includes standard locking system.

Material: Mild steel.

Finish: RAL7035 structure powder coating.

Pack quantity: 1 piece with mounting accessories.

Enclosure dimensions		
H	W	Part No.
300	600	ADP03060R5
	800	ADP03080R5
	1000	ADP03010R5
	1200	ADP03012R5



Wall Mounted Enclosures

Replacement parts

ASR standard door | ADPS

Description: Complete standard door for ASR enclosures. It includes standard locking system.

Material: AISI 304L | AISI 316L stainless steel.

Pack quantity: 1 piece with mounting accessories.

Enclosure dimensions			
H	W	Part No.	Part No.
180	240	ADPS01824	ADPS01824-316
240	240	ADPS02424	ADPS02424-316
	360	ADPS02436	ADPS02436-316
300	200	ADPS03020	ADPS03020-316
360	240	ADPS03624	ADPS03624-316
400	300	ADPS04030	ADPS04030-316
	400	ADPS04040	ADPS04040-316
	600	ADPS04060	ADPS04060-316
500	400	ADPS05040	ADPS05040-316
	500	ADPS05050	ADPS05050-316
600	400	ADPS06040	ADPS06040-316
	600	ADPS06060	ADPS06060-316
	800	ADPS06080	ADPS06080-316
800	600	ADPS08060	ADPS08060-316
	800	ADPS08080	ADPS08080-316
1000	800	ADPS10080	ADPS10080-316
1200	800	ADPS12080	ADPS12080-316
1400	800	ADPS14080	ADPS14080-316



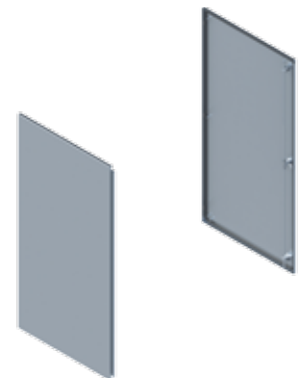
ADR standard door | ADPS

Description: Complete standard door for ADR enclosures. It includes standard locking system.

Material: AISI 304L | AISI 316L stainless steel.

Pack quantity: 1 piece with mounting accessories.

Enclosure dimensions			
H	W	Part No.	Part No.
Left door			
1000	1000	ADPS10010L	ADPS10010L-316
	1200	ADPS10012L	ADPS10012L-316
Right door			
1000	1000	ADPS10010R	ADPS10010R-316
	1200	ADPS10012R	ADPS10012R-316



Wall Mounted Enclosures

Replacement parts

AFS standard door | AFSD

Description: Complete standard door for AFS enclosures. It includes standard locking system.

Material: AISI 304L stainless steel. AISI 316L stainless steel available on request.

Pack quantity: 1 piece with mounting accessories.

Enclosure dimensions		Part No.	Part No.
H	W		
300	200	AFSD0302	AFSD0302-316*
400	300	AFSD0403	AFSD0403-316*
	400	AFSD0404	AFSD0404-316*
	600	AFSD0406	AFSD0406-316*
500	500	AFSD0505	AFSD0505-316*
	600	AFSD0604	AFSD0604-316*
600	600	AFSD0606	AFSD0606-316*
	800	AFSD0608	AFSD0608-316*
	600	AFSD0806	AFSD0806-316*
800	800	AFSD0808	AFSD0808-316*
	800	AFSD1008	AFSD1008-316*
1000	800	AFSD1008	AFSD1008-316*
1200	600	AFSD1206	AFSD1206-316*
	800	AFSD1208	AFSD1208-316*
1400	800	AFSD1408	AFSD1408-316*

* Delivery times upon request



Wall Mounted Enclosures

Replacement parts

Standard lock | ALL

Description: Standard lock for MAS and MAP enclosures.

Pack quantity: 1 piece.

Description	Part No.
Plastic	ALL503



ASR standard lock | ALLS

Description: Standard lock for ASR enclosures.

Pack quantity: 1 piece.

Description	Part No.
Chrome plated Zamak	ALLS503

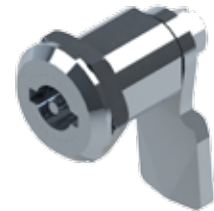


AFS standard lock | ALLSR

Description: Standard lock for AFS enclosures.

Pack quantity: 1 piece.

Description	Part No.
Chrome plated Zamak	ALLSR503



MAS standard espagnolette locking system | MASLS

Description: Espagnolette locking system for MAS enclosures. It includes the espagnolette system, standard lock cover and standard insert.

Pack quantity: 1 locking system with mounting accessories.

Enclosure dimensions	Part No.
Enclosure height 1000	MASLS1000
Enclosure height 1200	MASLS1200



Wall Mounted Enclosures

Replacement parts

01

Wall Mounted Enclosures

MAD standard espagnolette locking system | MADLS

Description: Espagnolette locking system for MAD enclosures. It includes the espagnolette system, standard lock cover and standard insert.

Pack quantity: 1 locking system with mounting accessories.

Enclosure dimensions	Part No.
Enclosure height 600	MADLS0600
Enclosure height 800	MADLS0800
Enclosure height 1000	MADLS1000
Enclosure height 1200	MADLS1200
Enclosure height 1400	MADLS1400



ASR standard espagnolette locking system | ASRLS

Description: Espagnolette locking system for ASR enclosures. It includes the espagnolette system, standard lock cover and standard insert.

Pack quantity: 1 locking system with mounting accessories.

Enclosure dimensions	Part No.
Enclosure height 1000	ASRLS1000
Enclosure height 1200	ASRLS1200
Enclosure height 1400	ASRLS1400



ADR standard espagnolette locking system | ADRLS

Description: Espagnolette locking system for ADR enclosures. It includes the espagnolette system, standard lock cover and standard insert.

Pack quantity: 1 locking system with mounting accessories.

Enclosure dimensions	Part No.
Enclosure height 1000	ADRLS1000



Standard key | LSK

Description: Key with Eldon logo. Easy to use design and provides a good grip.

Pack quantity: 1 piece.

Description	Part No.
Plastic double-bit 3mm	LSK502
Metallic double-bit 3mm	LSK503



Wall Mounted Enclosures

Replacement parts

Standard hinges | MMSH

Description: Complete hinges to replace the standard one in the MultiMount range. It includes body hinge pin, and mounting material.

Pack quantity: 6 pieces with mounting accessories.



Description	Part No.
Zinc plated	MMSH06
Stainless steel	MMSH06SS

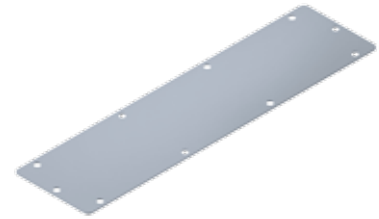
Standard gland plate | AF

Description: Gland plate for the standard gland opening.

Material: 1.4mm mild steel.

Finish: RAL7035 structure powder coating.

Pack quantity: 1 piece.



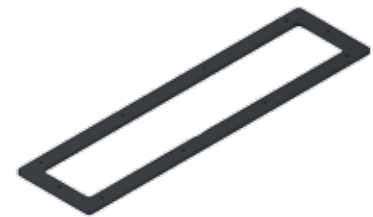
Size	For opening	Part No.
0S	110 x 56	AF00SR5
1S	210 x 56	AF01SR5
2S	310 x 56	AF02SR5
3S	410 x 56	AF03SR5
1	210 x 96	AF01R5
2	310 x 96	AF02R5
3	410 x 96	AF03R5
4	510 x 96	AF04R5

Gland plate gasket | AG

Description: For standard gland plate opening.

Material: 4mm polyethylene foam.

Pack quantity: 1 piece.



Size	For opening	Part No.
0 S	110 x 56	AG00S
1 S	210 x 56	AG01S
2 S	310 x 56	AG02S
3 S	410 x 56	AG03S
1	210 x 96	AG01
2	310 x 96	AG02
3	410 x 96	AG03
4	510 x 96	AG04

Wall Mounted Enclosures

Replacement parts

01

Wall Mounted Enclosures

Mounting plate | AMP

Description: Steel mounting plate for MultiMount enclosures. All sizes from 800mm and above are strengthened by folded edges.

Material: Galvanized steel.

Pack quantity: 1 piece.



Enclosure dimensions		Mounting plate dimensions		Part No.	
H	W	h	w		
180	240	150	190	AMP01824	
200	200	170	150	AMP02020	
240	240	210	190	AMP02424	
	360	210	310	AMP02436	
250	200	220	150	AMP02520	
	250	220	200	AMP02525	
300	200	270	150	AMP03020	
	250	270	200	AMP03025	
	300	270	250	AMP03030	
	600	270	550	AMP03060	
	800	270	750	AMP03080	
	1000	270	950	AMP03100	
	1200	270	1150	AMP03120	
	350	250	320	200	AMP03525
360	240	330	190	AMP03624	
400	300	370	250	AMP04030	
	400	370	350	AMP04040	
	500	370	450	AMP04050	
	600	370	550	AMP04060	
500	300	470	250	AMP05030	
	400	470	350	AMP05040	
	500	470	450	AMP05050	
600	400	570	350	AMP06040	
	500	570	450	AMP06050	
	600	570	550	AMP06060	
	800	570	750	AMP06080	
	700	500	670	450	AMP07050
	800	400	770	350	AMP08040
	600	770	550	AMP08060	
	800	770	750	AMP08080	
	1200	770	1150	AMP08120	
	1000	600	970	550	AMP10060
	800	970	750	AMP10080	
	1000	970	950	AMP10100	
	1200	970	1150	AMP10012	
	1200	600	1170	550	AMP12060
	800	1170	750	AMP12080	
	1000	1170	950	AMP12100	
	1400	800	1370	750	AMP14080
	1000	1370	950	AMP14100	

Wall Mounted Enclosures

Replacement parts

AFS mounting plate | AFSM

Description: Steel mounting plate for AFS enclosures. All sizes from 800mm and above are strengthened by folded edges.

Material: Galvanized steel.

Pack quantity: 1 piece.

Enclosure dimensions		Mounting plate dimension		Part No.
H	W	h	w	
300	200	275	150	AFSM0302
400	300	375	250	AFSM0403
	400	375	350	AFSM0404
	600	375	550	AFSM0406
500	500	475	450	AFSM0505
600	400	575	350	AFSM0604
	600	575	550	AFSM0606
	800	550	750	AFSM0608
800	600	750	550	AFSM0806
	800	750	750	AFSM0808
1000	800	950	750	AFSM1008
1200	600	1150	550	AFSM1206
	800	1150	750	AFSM1208
1400	800	1350	750	AFSM1408



Door mounting profiles | MMDP

Description: To strengthen the door, mounted on the inside of the door on the M6 welded studs. Equipped with 10mm hole pattern.

Material: 1.2mm galvanized steel.

Dimensions: 15x14mm.

Pack quantity: 1 pair with mounting accessories.

For enclosure		Part No.
H		
400		MMDP040
500		MMDP050
600		MMDP060
700		MMDP070
800		MMDP080
1000		MMDP100
1200		MMDP120
1400		MMDP140



Wall Mounted Enclosures

Replacement parts

01

Wall Mounted Enclosures

MAP panel stay | MAPPS

Description: To secure the panel in the open position. Mounted directly on the panel profile studs.

Pack quantity: 1 piece with mounting accessories.



Description	Part No.
Zinc plated panel stay	MAPPS01

Accessories kit | MMAK

Description: Mounting accessories (screws for gland plate, spacers for mounting plate, washers, nuts) needed for each type of MultiMount enclosure. They are packed in one plastic bag.

Pack quantity: 1 kit.



Description	H	W	Part No.
For MAS	200-350	200-250	MMAK01R5
	200-800	300-400	MMAK02R5
	300-800	500-600	MMAK03R5
	1000-1200	600	MMAK04R5
	600-800	800	MMAK05R5
	1000-1200	800	MMAK06R5
For MAD			MMAK11R5
			MMAK11R5
For MAP	300	600	MMAK16R5
	300	800-1200	MMAK17R5
For ASR			MMAK21R5
For ADR			MMAK22R5
For AFS			MMAK23R5



Wall Mounted Enclosures

Spare parts

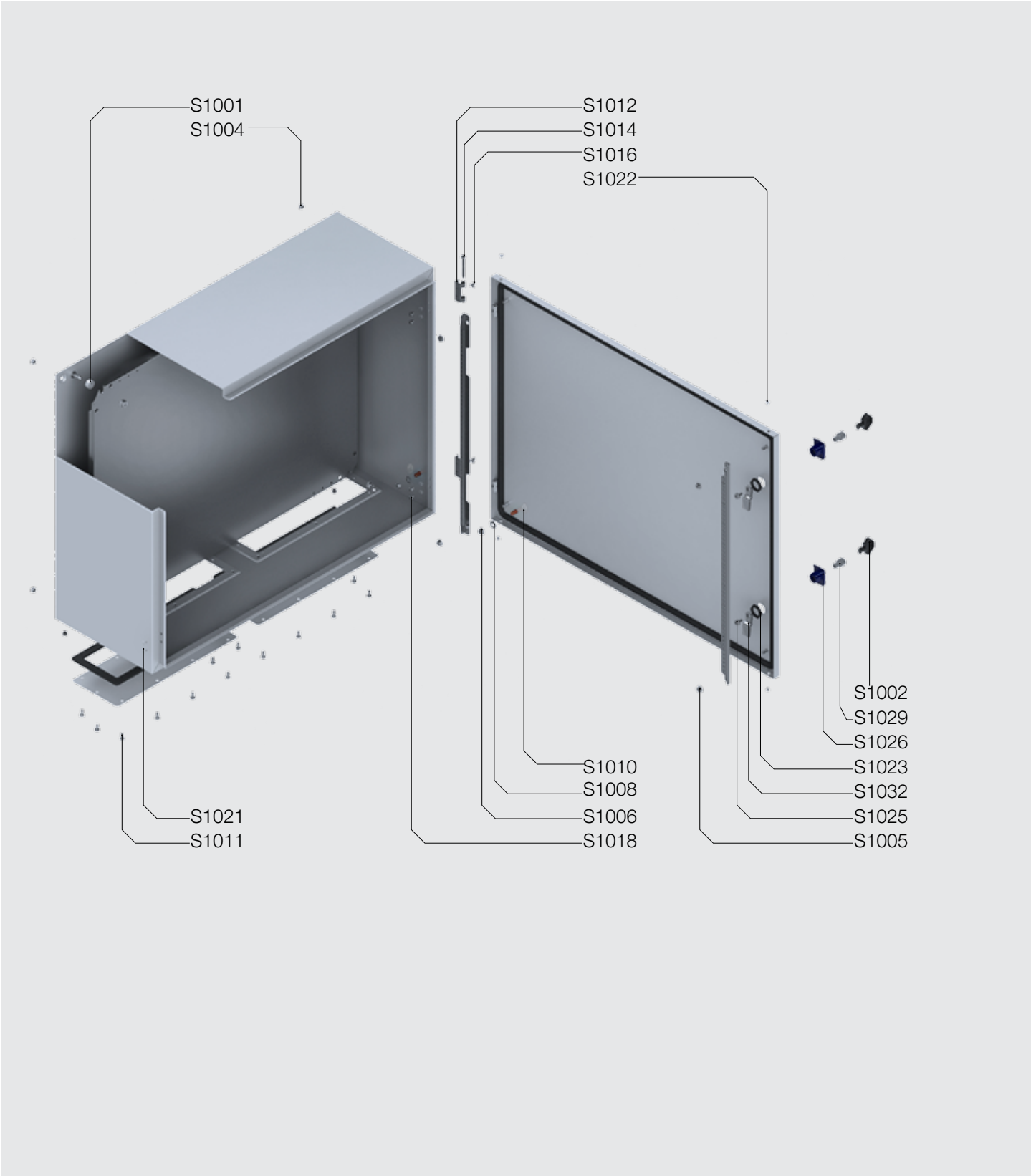
Spare parts	29
Single door enclosure MAS	30
Double door enclosure MAD	34
Panel MAP	36
Single door enclosure ASR	38
Double door enclosure ADR	42
Single door enclosure with integrated hood AFS	44

Wall Mounted Enclosures | Spare parts

Mild steel

Single door enclosure | MAS

Simple lock



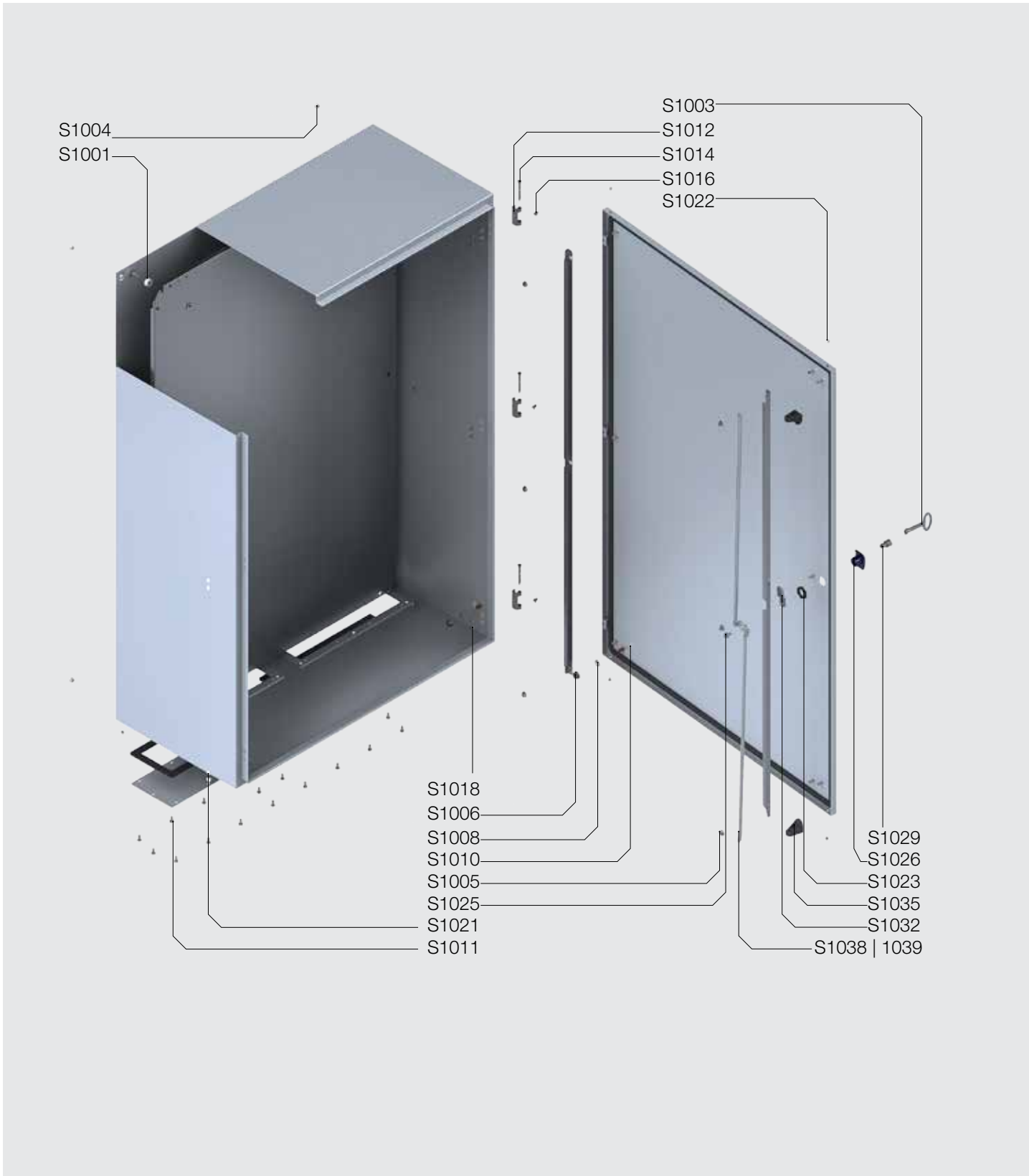
Spare part	Pack quantity	Description
S1001	50	Mounting plate spacer
S1002	50	Plastic key
S1004	50	Rear hole plug
S1005	50	M6 Nut
S1006	50	M8 Nut
S1008	50	M8 Earthing washer
S1010	100	Earthing label
S1011	100	Gland plate screw
S1012	25	Hinge arm
S1014	25	Hinge pin
S1016	50	Hinge clip
S1018	50	M5x6 hinge screw with nylon washer
S1021	50	Hinge hole plug
S1022	50	Door plug
S1023	50	Plastic lock nut
S1025	50	Lock screw
S1026	25	Polyamide lock body
S1029	25	Polyamide lock insert
S1032	25	MAS / MAP / ASR lock latch

Wall Mounted Enclosures | Spare parts

Mild steel

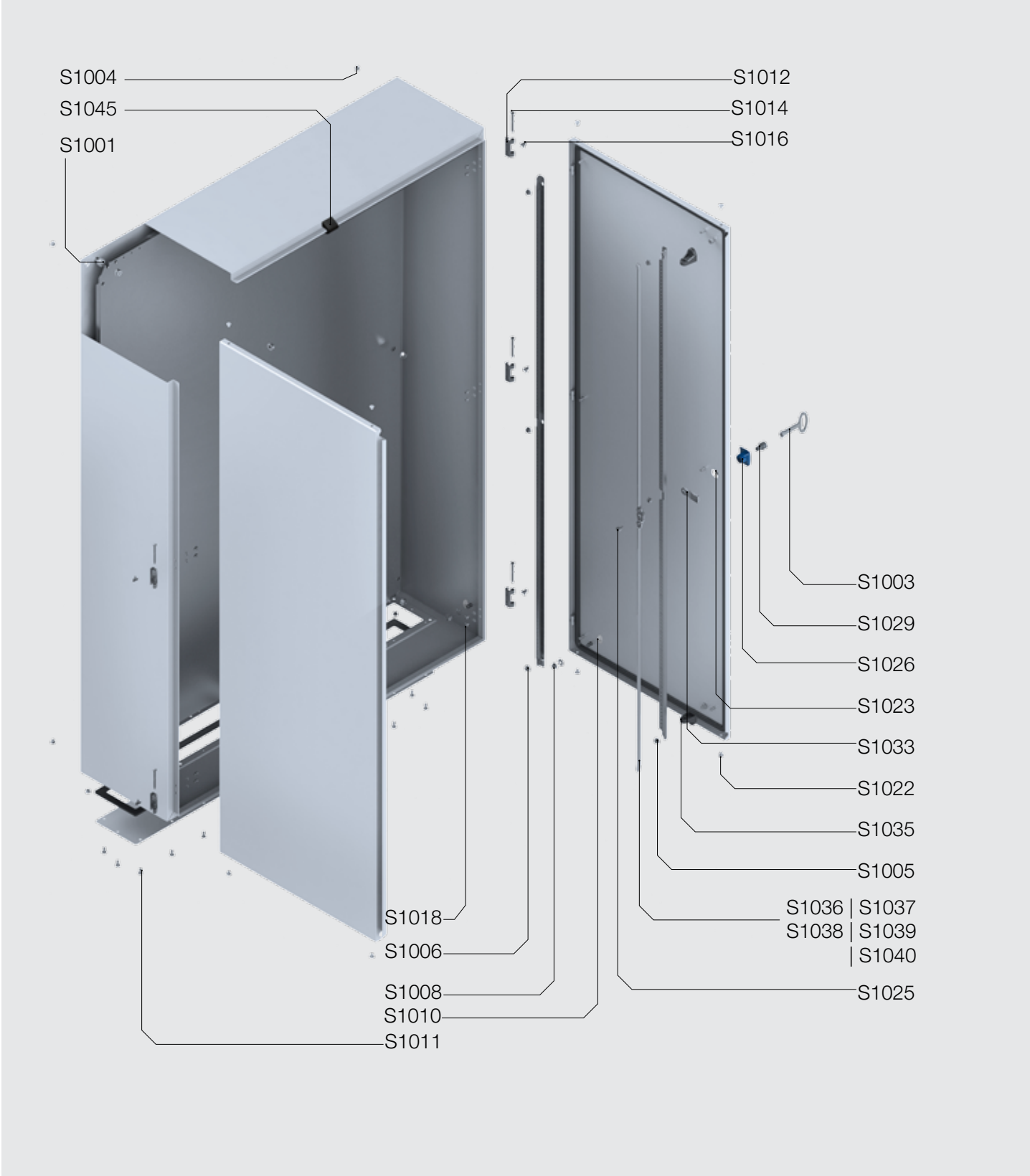
Single door enclosure | MAS

3 points espagnolette locking system



Spare part	Pack quantity	Description
S1001	50	Mounting plate spacer
S1003	50	Metallic key
S1004	50	Rear hole plug
S1005	50	M6 nut
S1006	50	M8 nut
S1008	50	M8 earthing washer
S1010	100	Earthing label
S1011	100	Gland plate screw
S1012	25	Hinge arm
S1014	25	Hinge pin
S1016	50	Hinge clip
S1018	50	M5x6 hinge screw with nylon washer
S1021	50	Hinge hole plug
S1022	50	Door plug
S1023	50	Plastic lock nut
S1025	50	Lock screw
S1026	25	Polyamide lock body
S1029	25	Polyamide lock insert
S1032	25	MAS / MAP / ASR lock latch
S1035	50	Plastic rod guide
S1038	5	Standard espagnolette locking system (1000mm high enclosures)
S1039	5	Standard espagnolette locking system (1200mm high enclosures)

Wall Mounted Enclosures | Spare parts
Mild steel
Double door enclosure | MAD

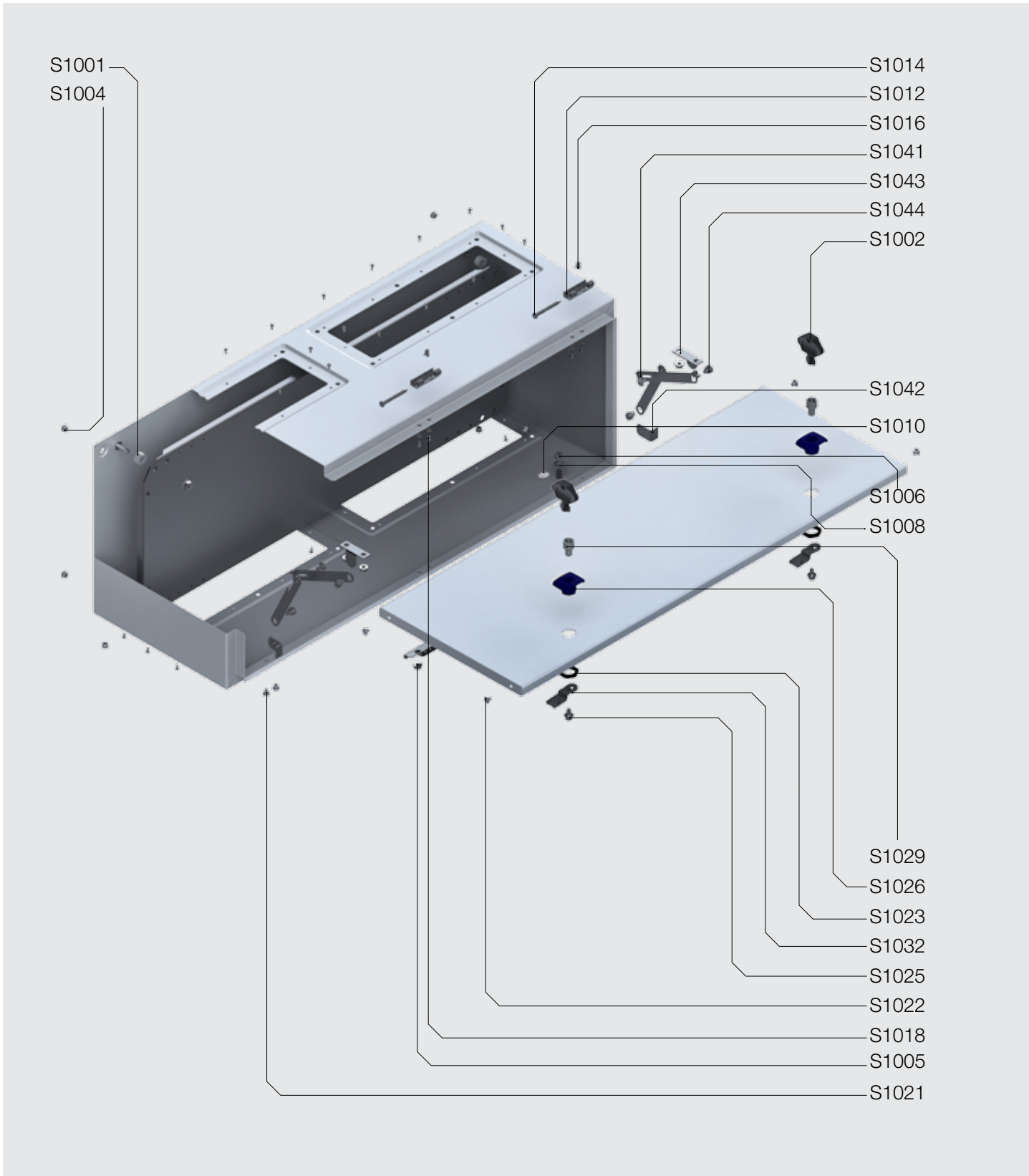


Spare part	Pack quantity	Description
S1001	50	Mounting plate spacer
S1003	50	Metallic key
S1004	50	Rear hole plug
S1005	50	M6 nut
S1006	50	M8 nut
S1008	50	M8 earthing washer
S1010	100	Earthing label
S1011	100	Gland plate screw
S1012	25	Hinge arm
S1014	25	Hinge pin
S1016	50	Hinge clip
S1018	50	M5x6 Hinge screw with nylon washer
S1022	50	Door plug
S1023	50	Plastic lock nut
S1025	50	Lock screw
S1026	25	Polyamide lock body
S1029	25	Polyamide lock insert
S1033	25	MAD / ADR lock latch
S1035	50	Plastic rod guide
S1036	5	Standard espagnolette locking system (600mm high enclosures)
S1037	5	Standard espagnolette locking system (800mm high enclosures)
S1038	5	Standard espagnolette locking system (1000mm high enclosures)
S1039	5	Standard espagnolette locking system (1200mm high enclosures)
S1040	5	Standard espagnolette locking system (1400mm high enclosures)
S1045	10	MAD / ADR Adhesive tape

Wall Mounted Enclosures | Spare parts

Mild steel

Panel | MAP



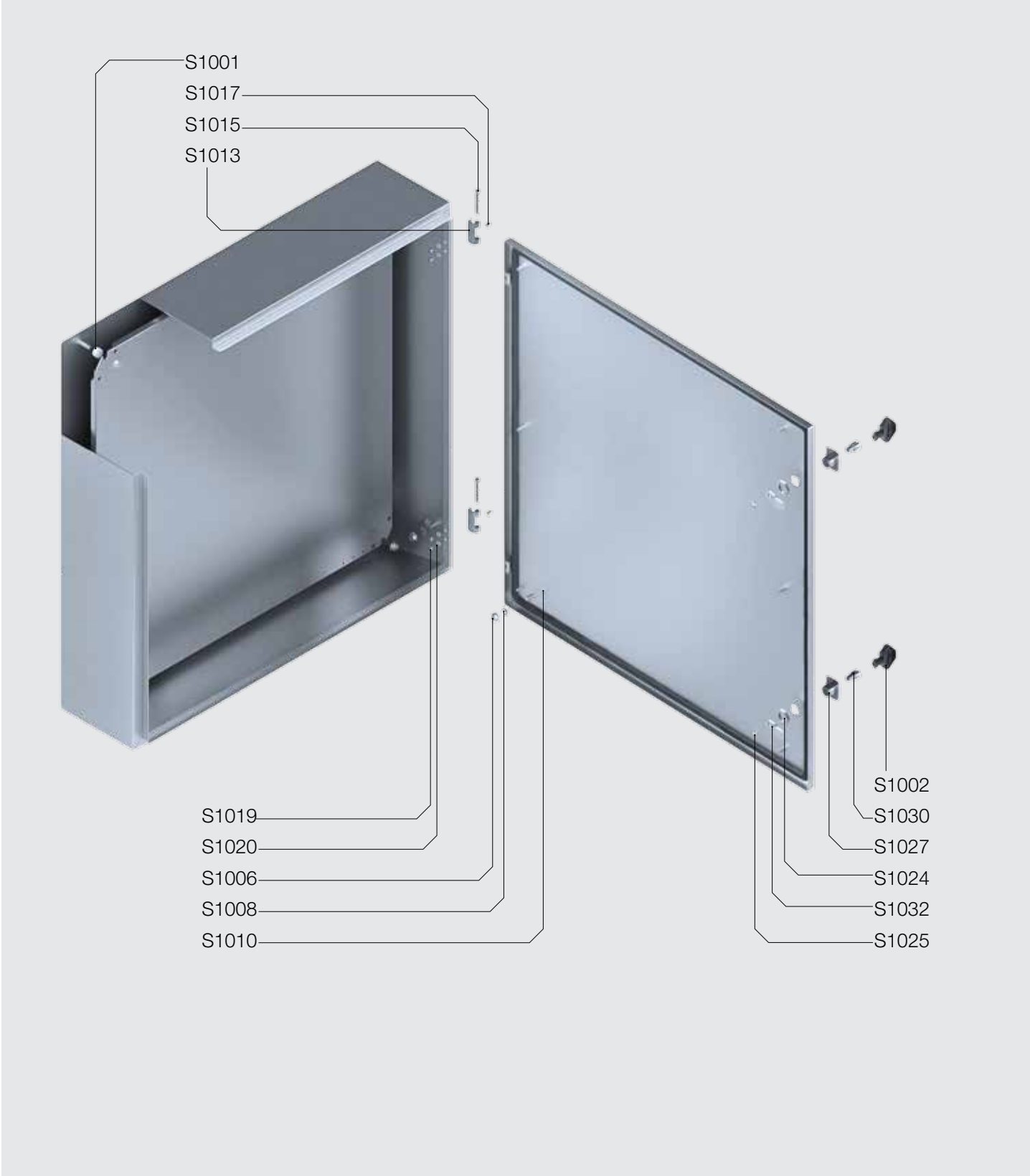
Spare part	Pack quantity	Description
S1001	50	Mounting plate spacer
S1002	50	Plastic key
S1004	50	Rear hole plug
S1005	50	M6 nut
S1006	50	M8 nut
S1008	50	M8 earthing washer
S1010	100	Earthing label
S1012	25	Hinge arm
S1014	25	Hinge pin
S1016	50	Hinge clip
S1018	50	M5x6 hinge screw with nylon washer
S1021	50	Hinge hole plug
S1022	50	Door plug
S1023	50	Plastic lock nut
S1025	50	Lock screw
S1026	25	Polyamide lock body
S1029	25	Polyamide lock insert
S1032	25	MAS / MAP / ASR lock latch
S1041	5	MAP door stop
S1042	5	MAP door stop - door bracket
S1043	5	MAP body - door stop bracket
S1044	10	MAP door stop fixing screw

Wall Mounted Enclosures | Spare parts

Stainless steel

Single door enclosure | ASR

Simple lock



01

Wall Mounted Enclosures

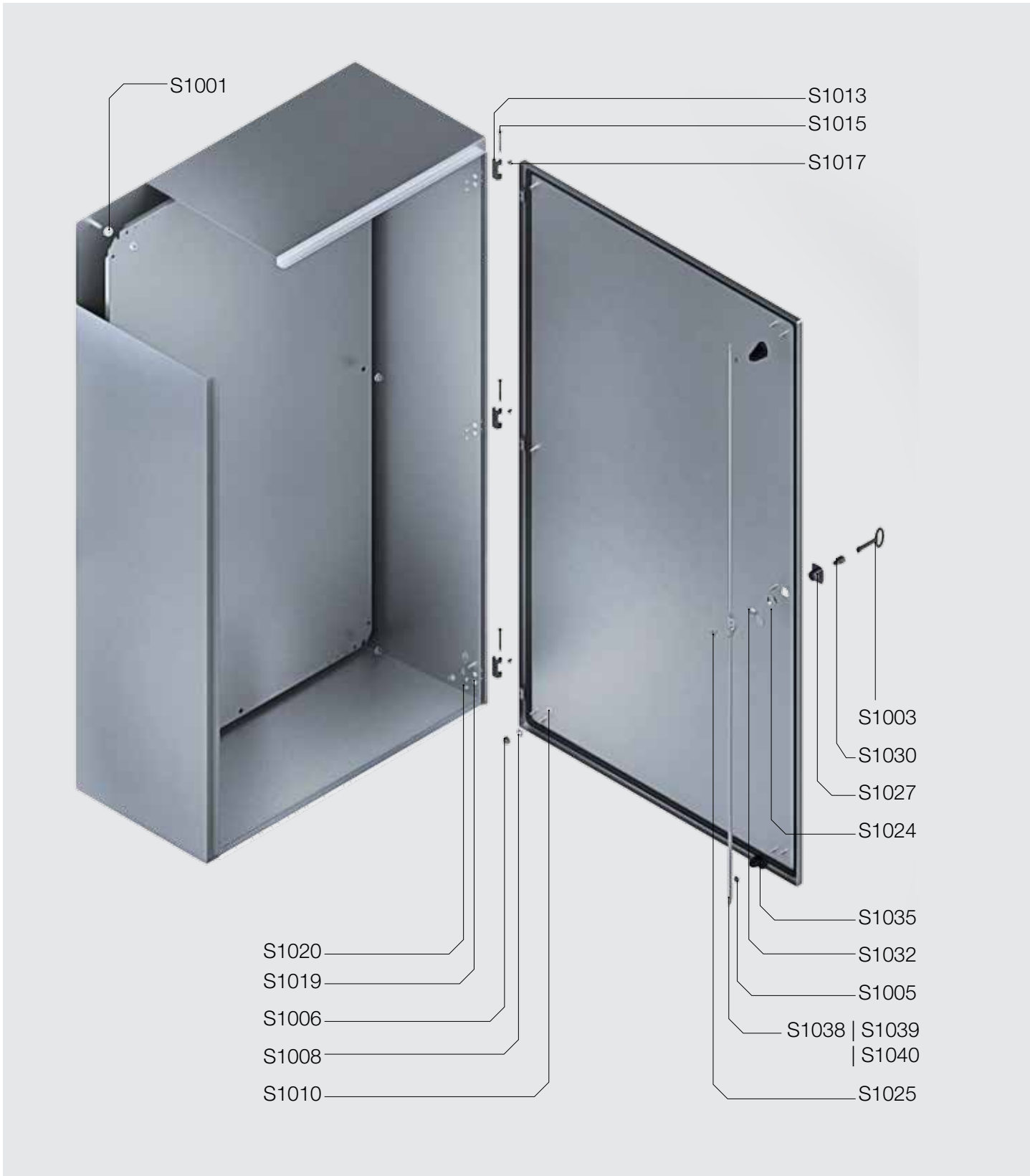
Spare part	Pack quantity	Description
S1001	50	Mounting plate spacer
S1002	50	Plastic key
S1006	50	M8 Nut
S1008	50	M8 Earthing washer
S1010	100	Earthing label
S1013	25	Hinge arm stainless steel
S1015	25	Hinge pin stainless steel
S1017	50	Hinge clip stainless steel
S1019	50	M5x6 Hinge screw stainless steel
S1020	50	M5 Hinge nylon washer
S1024	50	Metallic lock nut
S1025	50	Lock screw
S1027	25	ASR/ADR Chrome plated lock body
S1030	25	ASR/ADR Chrome plated lock insert
S1032	25	MAS/MAP/ASR Lock latch

Wall Mounted Enclosures | Spare parts

Stainless steel

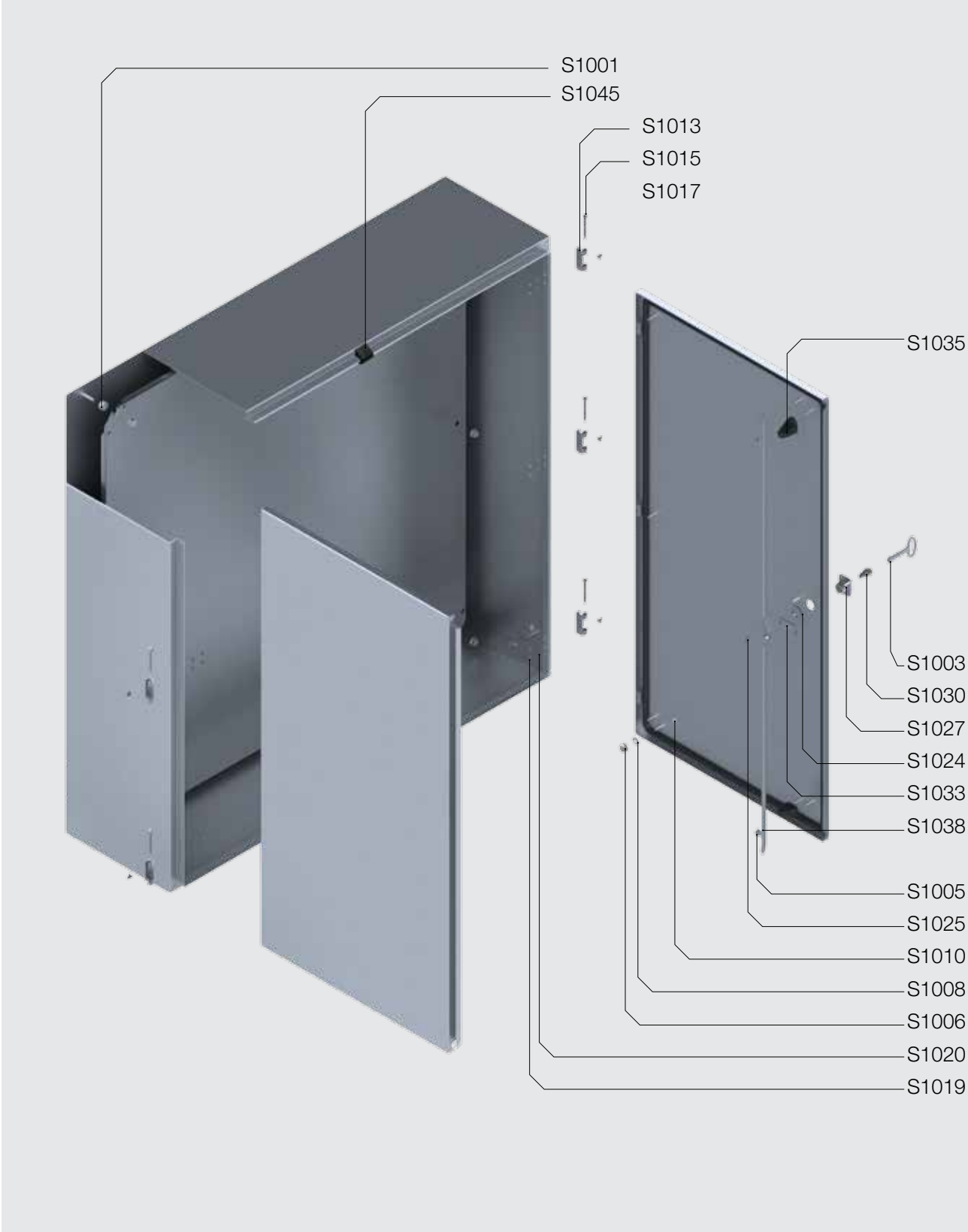
Single door enclosure | ASR

3 points espagnolette locking system



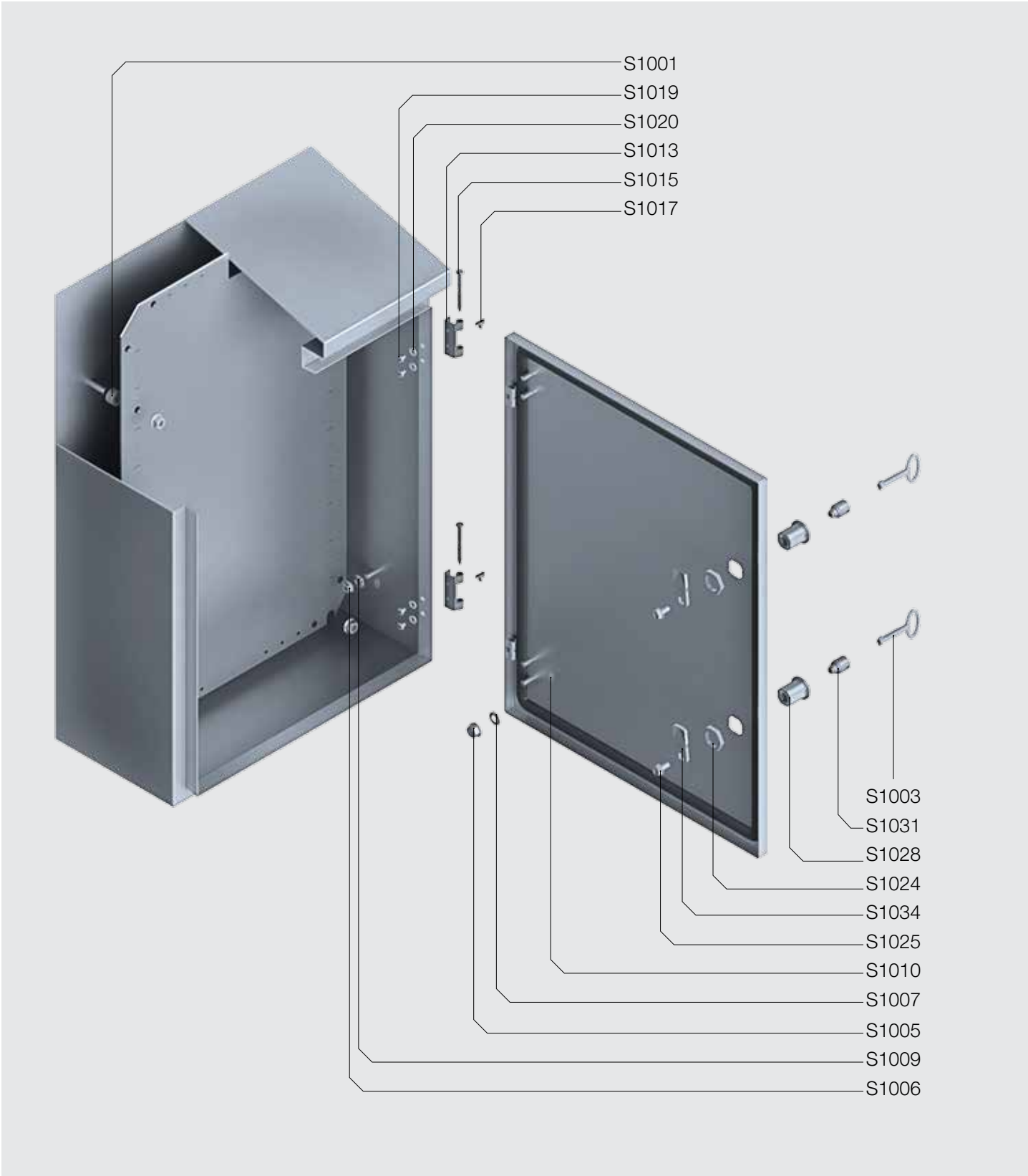
Spare part	Pack quantity	Description
S1001	50	Mounting plate spacer
S1003	50	Metallic key
S1005	50	M6 nut
S1006	50	M8 nut
S1008	50	M8 earthing washer
S1010	100	Earthing label
S1013	25	Hinge arm stainless steel
S1015	25	Hinge pin stainless steel
S1017	50	Hinge clip stainless steel
S1019	50	M5x6 hinge screw stainless steel
S1020	50	M5 hinge nylon washer
S1024	50	Metallic lock nut
S1025	50	Lock screw
S1027	25	ASR / ADR chrome plated lock body
S1030	25	ASR / ADR chrome plated lock insert
S1032	25	MAS / MAP / ASR lock latch
S1035	50	Plastic rod guide
S1038	5	Standard espagnolette locking system (1000mm high enclosures)
S1039	5	Standard espagnolette locking system (1200mm high enclosures)
S1040	5	Standard espagnolette locking system (1400mm high enclosures)

Wall Mounted Enclosures | Spare parts
Stainless steel
Double door enclosure | ADR



Spare part	Pack quantity	Description
S1001	50	Mounting plate spacer
S1003	50	Metallic key
S1005	50	M6 nut
S1006	50	M8 nut
S1008	50	M8 earthing washer
S1010	100	Earthing label
S1013	25	Hinge arm stainless steel
S1015	25	Hinge pin stainless steel
S1017	50	Hinge clip stainless steel
S1019	50	M5x6 hinge screw stainless steel
S1020	50	M5 hinge nylon washer
S1024	50	Metallic lock nut
S1025	50	Lock screw
S1027	25	ASR / ADR chrome plated lock body
S1030	25	ASR / ADR chrome plated lock insert
S1033	25	MAD / ADR lock latch
S1035	50	Plastic rod guide
S1038	5	Standard espagnolette locking system (1000mm high enclosures)
S1045	10	MAD / ADR adhesive tape

Wall Mounted Enclosures | Spare parts
Stainless steel
 Single door enclosure with integrated hood | AFS



Spare part	Pack quantity	Description
S1001	50	Mounting plate spacer
S1003	50	Metallic key
S1005	50	M6 nut
S1006	50	M8 nut
S1007	50	M6 washer
S1009	50	M8 washer
S1010	100	Earthing label
S1013	25	Hinge arm stainless steel
S1015	25	Hinge pin stainless steel
S1017	50	Hinge clip stainless steel
S1019	50	M5x6 hinge screw stainless steel
S1020	50	M5 hinge nylon washer
S1024	50	Metallic lock nut
S1025	50	Lock screw
S1028	25	AFS chrome plated lock body
S1031	25	AFS chrome plated lock insert
S1034	25	AFS lock latch



Floor standing enclosures set new standards when it comes to strength and ease of use. With a reliable design, this range of enclosures combines strength and practicality in one. Infinite mounting possibilities and a complete range of accessories means you can rely on this enclosures to get the job done.

Ergonomic and strongly designed, it offers suitable protection against many adverse conditions and theft and quickens installation, offering multiple mounting options.

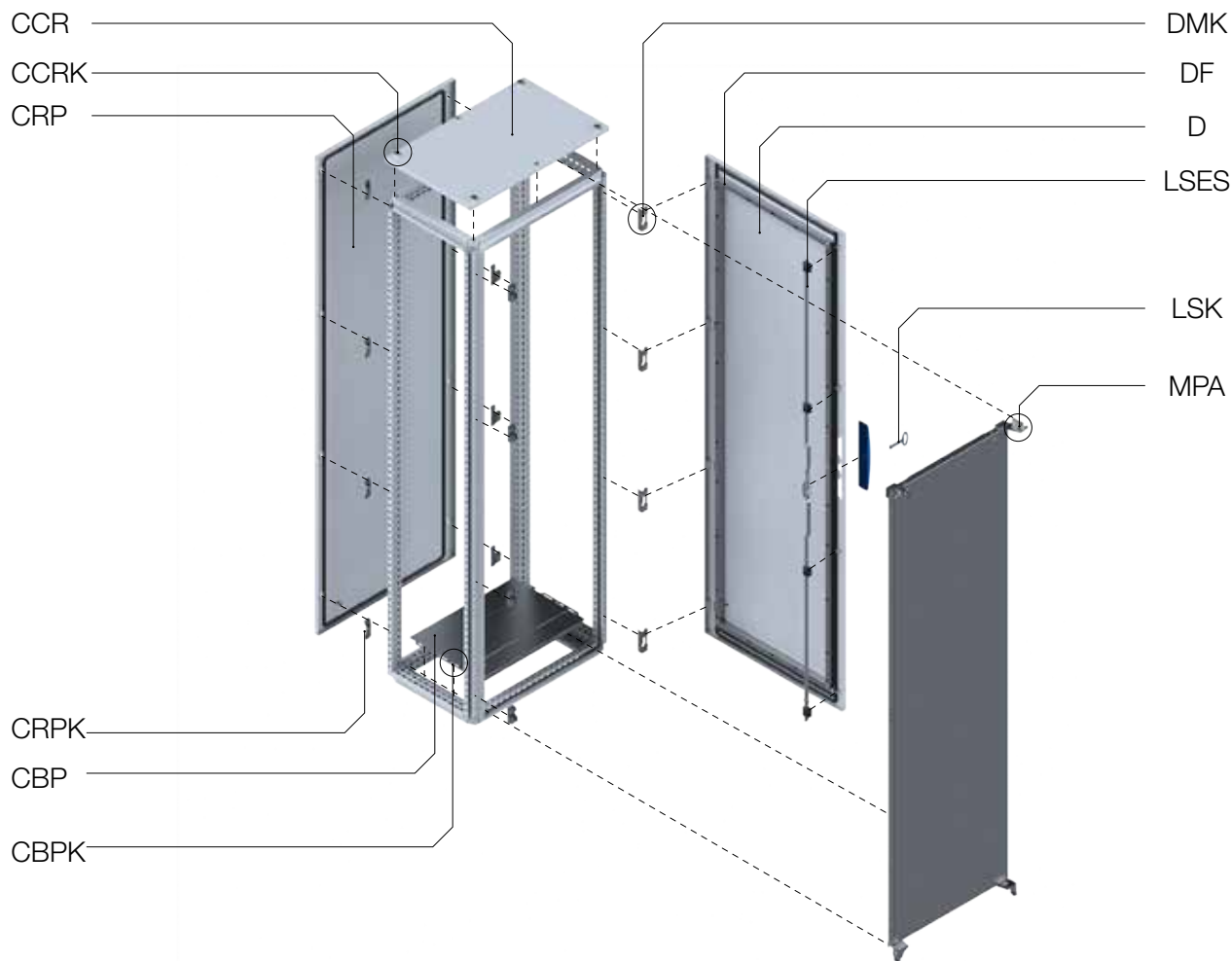
Floor Standing Enclosures

Overview	47
Mild steel	Single door enclosure, combinable version MCS 48
	Double door enclosure, combinable version MCD 49
	IP protected ICT rack MCI 50
	Industrial computer enclosure MCM 51
	Single door enclosure, semi-compact version MKS 52
	Double door enclosure, semi-compact version MKD 53
	Single door enclosure, compact version EKS 54
	Double door enclosure, compact version EKD 55
Stainless steel	Single door enclosure, combinable version MCSS 56
	Double door enclosure, combinable version MCDS 57
	Single door enclosure, compact version EKSS 58
	Double door enclosure, compact version EKDS 59
Replacement parts	61
Spare parts	79

Floor Standing Enclosures

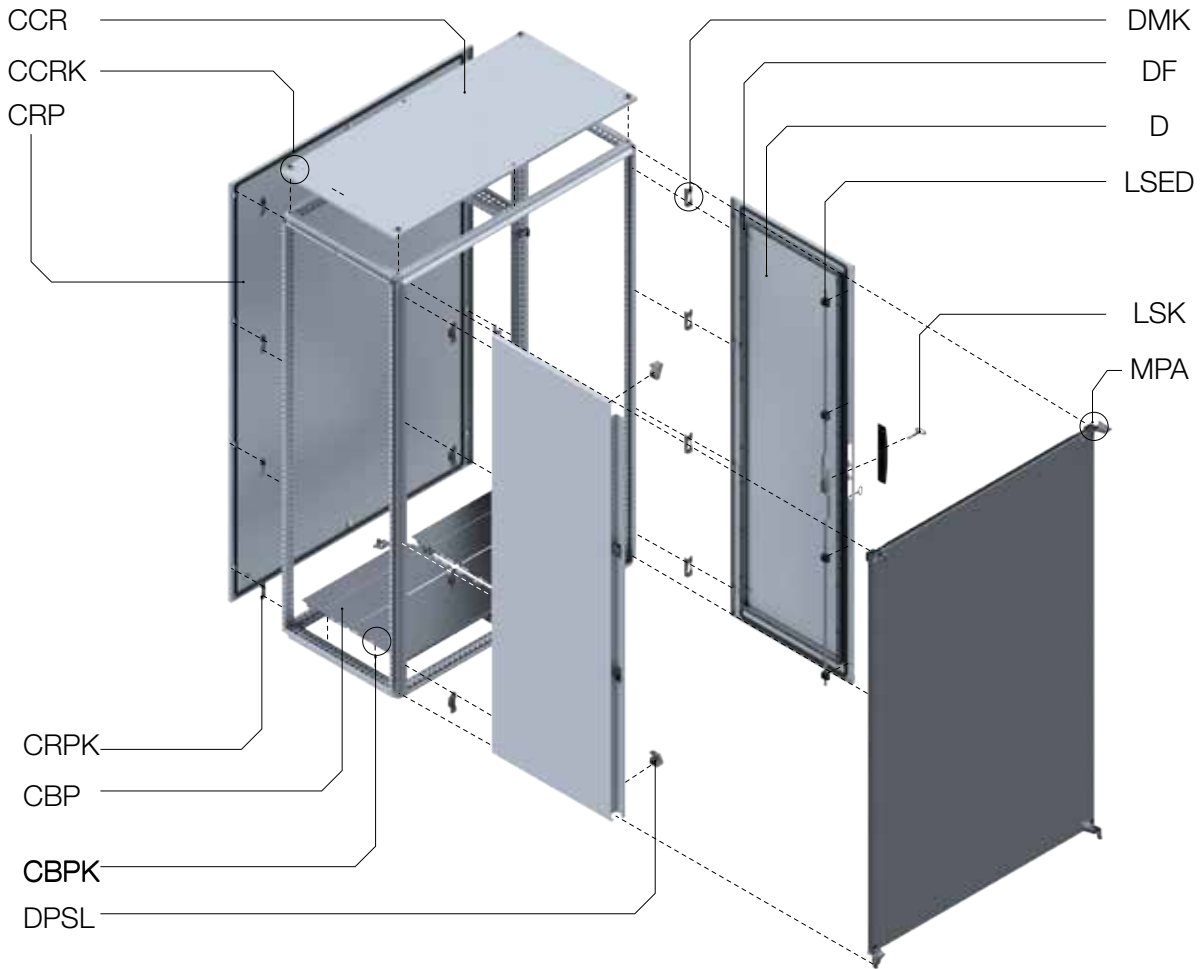
Mild steel

Single door enclosure, combinable version | MCS



Replacement parts	Description	Page No.
D	MultiFlex plain door	62
LSES	Locking system	65
DF	Door frame	67
DMK	Door mounting kit	68
CCR	Roof plate	69
CCRK	Roof mounting kit	71
LSK	Key	68
CRP	Rear panel	70
CRPK	Rear panel mounting kit	71
CBP	Bottom plate	73
CBPK	Bottom plate mounting kit	74
MPA	Mounting plate brackets	72

Floor Standing Enclosures Mild steel Double door enclosure, combinable version | MCD

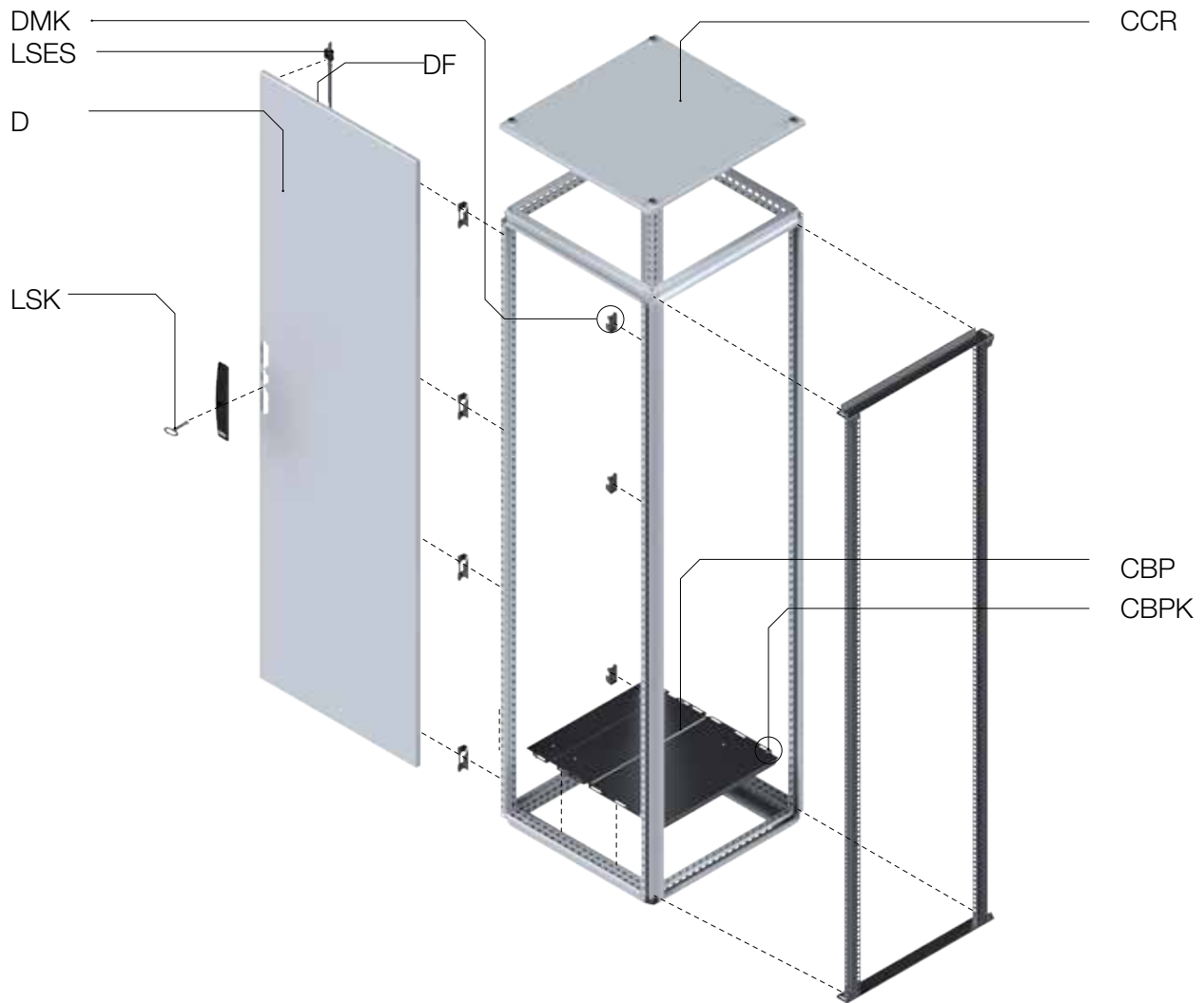


Replacement parts	Description	Page No.
D	MultiFlex plain door	62
LSED	Locking system	65
DF	Door frame	67
DMK	Door mounting kit	68
CCR	Roof plate	69
CCRK	Roof mounting kit	71
LSK	Key	68
CRP	Rear panel	70
CRPK	Rear panel mounting kit	71
CBP	Bottom plate	73
CBPK	Bottom plate mounting kit	74
MPA	Mounting plate brackets	72
DPSL	Door plastic support	72

Floor Standing Enclosures

Mild steel

IP protected ICT rack | MCI

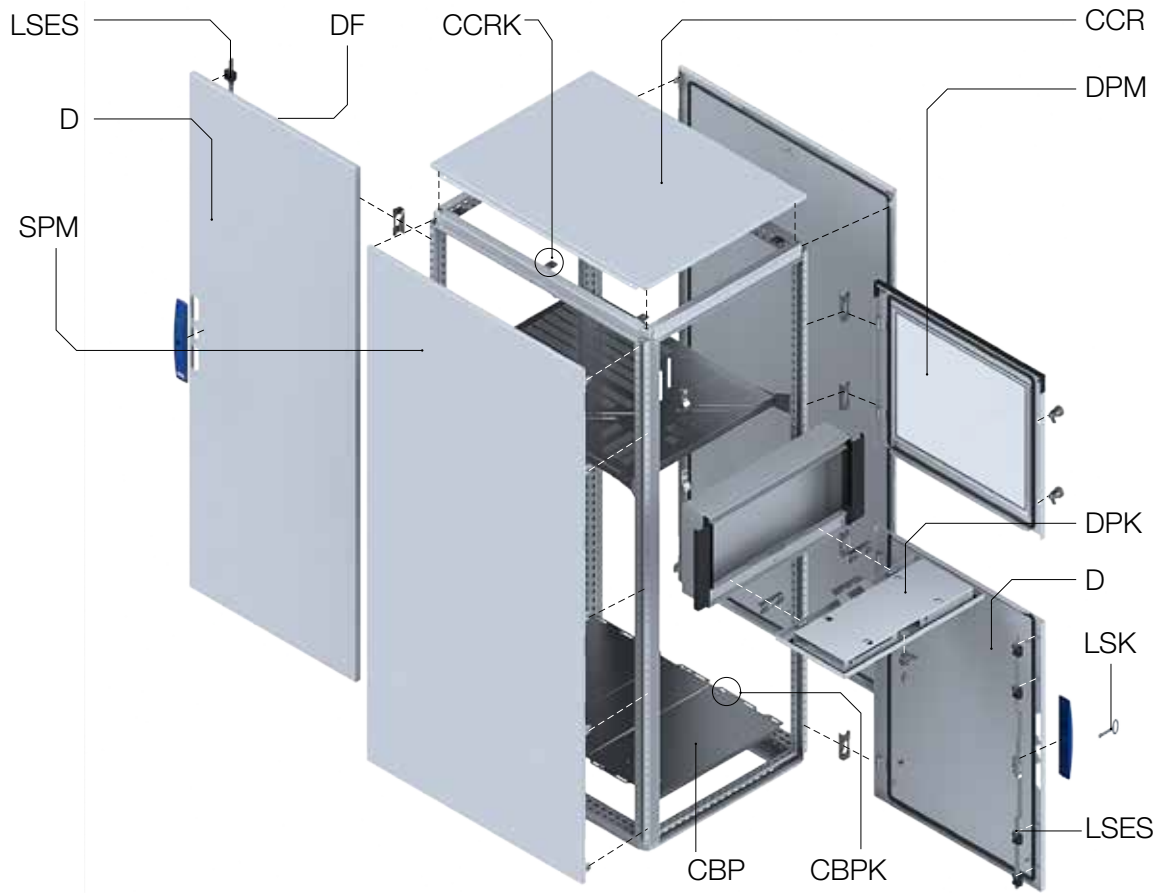


Replacement parts	Description	Page No.
D	MultiFlex plain door	62
LSES	Locking system	65
DF	Door frame	67
DMK	Door mounting kit	68
CCR	Roof plate	69
CCRK	Roof mounting kit	71
LSK	Key	68
CBP	Bottom plate	73
CBPK	Bottom plate mounting kit	73

Floor Standing Enclosures

Mild steel

Industrial computer enclosure | MCM

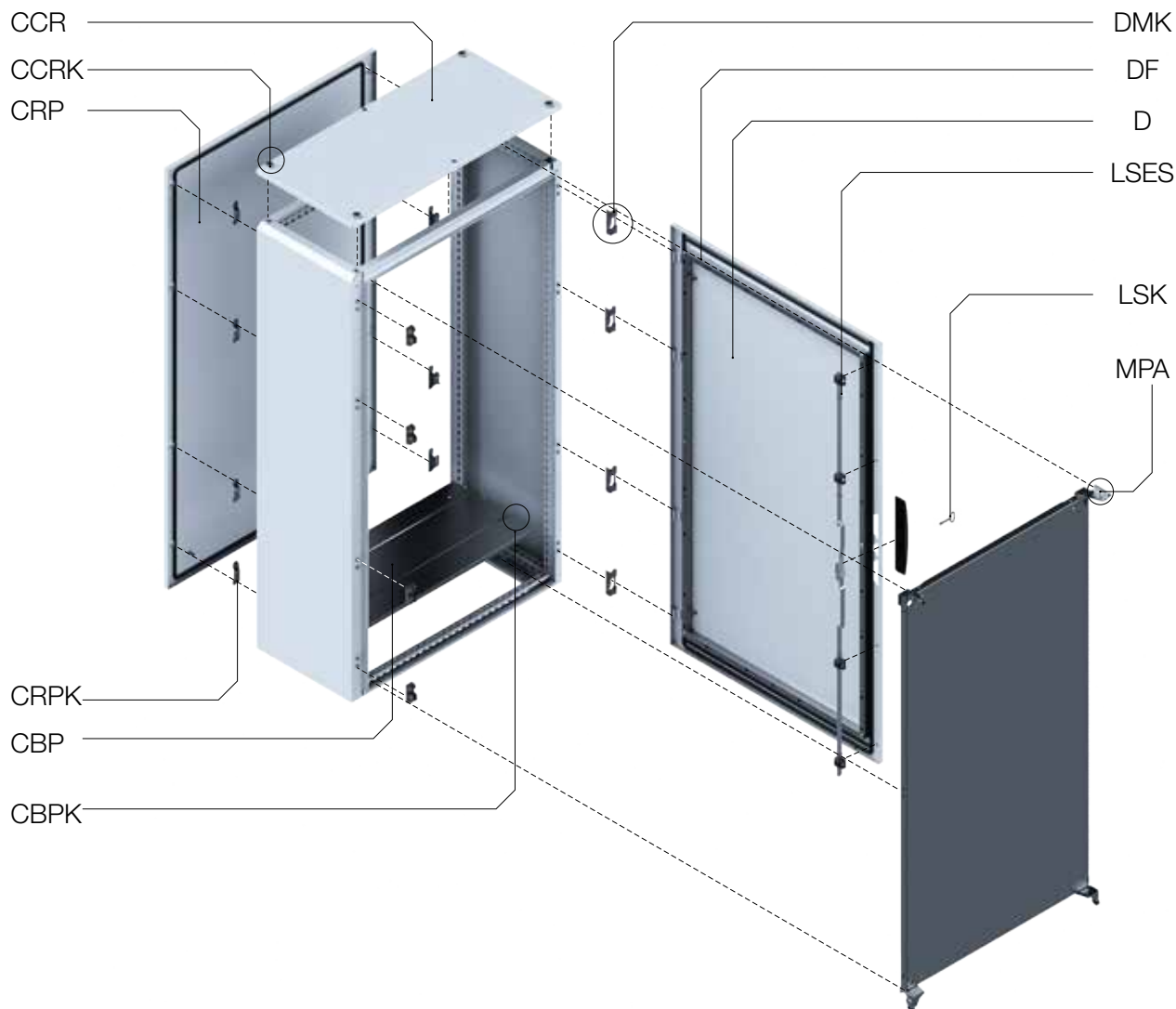


Replacement parts	Description	Page No.
DPM	MCM monitor door	76
D	MCM bottom door	62
LSES	MCM espagnolette bottom door	58
D	MCM back door	62
LSES	MCM espagnolette back door	58
DF	Door frame	67
CCR	Roof plate MCM	69
CCRK	Roof mounting kit	71
SPM	Side panel MCM	72
CBP	Bottom plate	73
CBPK	Bottom plate mounting kit	74
LSK	Key	68
DPK	Keyboard panel	77

Floor Standing Enclosures

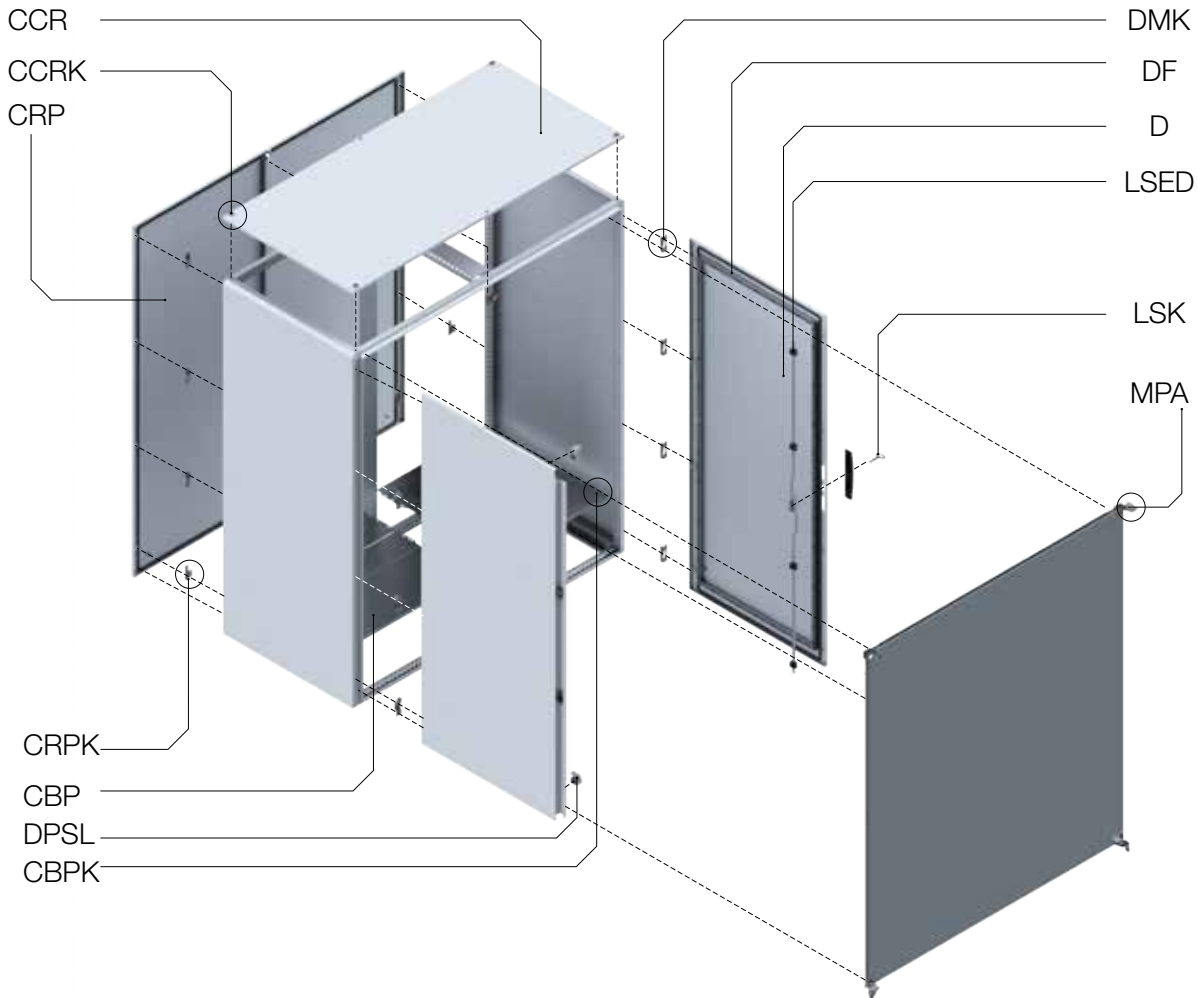
Mild steel

Single door enclosure, semi-compact version | MKS



Replacement parts	Description	Page No.
D	MultiFlex plain door	62
LSES	Locking system	65
DF	Door frame	67
DMK	Door mounting kit	68
CCR	Roof plate	69
CCRK	Roof mounting kit	71
LSK	Key	68
CRP	Rear panel	70
CRPK	Rear panel mounting kit	71
CBP	Bottom plate	73
CBPK	Bottom plate mounting kit	74
MPA	Mounting plate brackets	72

Floor Standing Enclosures Mild steel Double door enclosure, semi-compact version | MKD

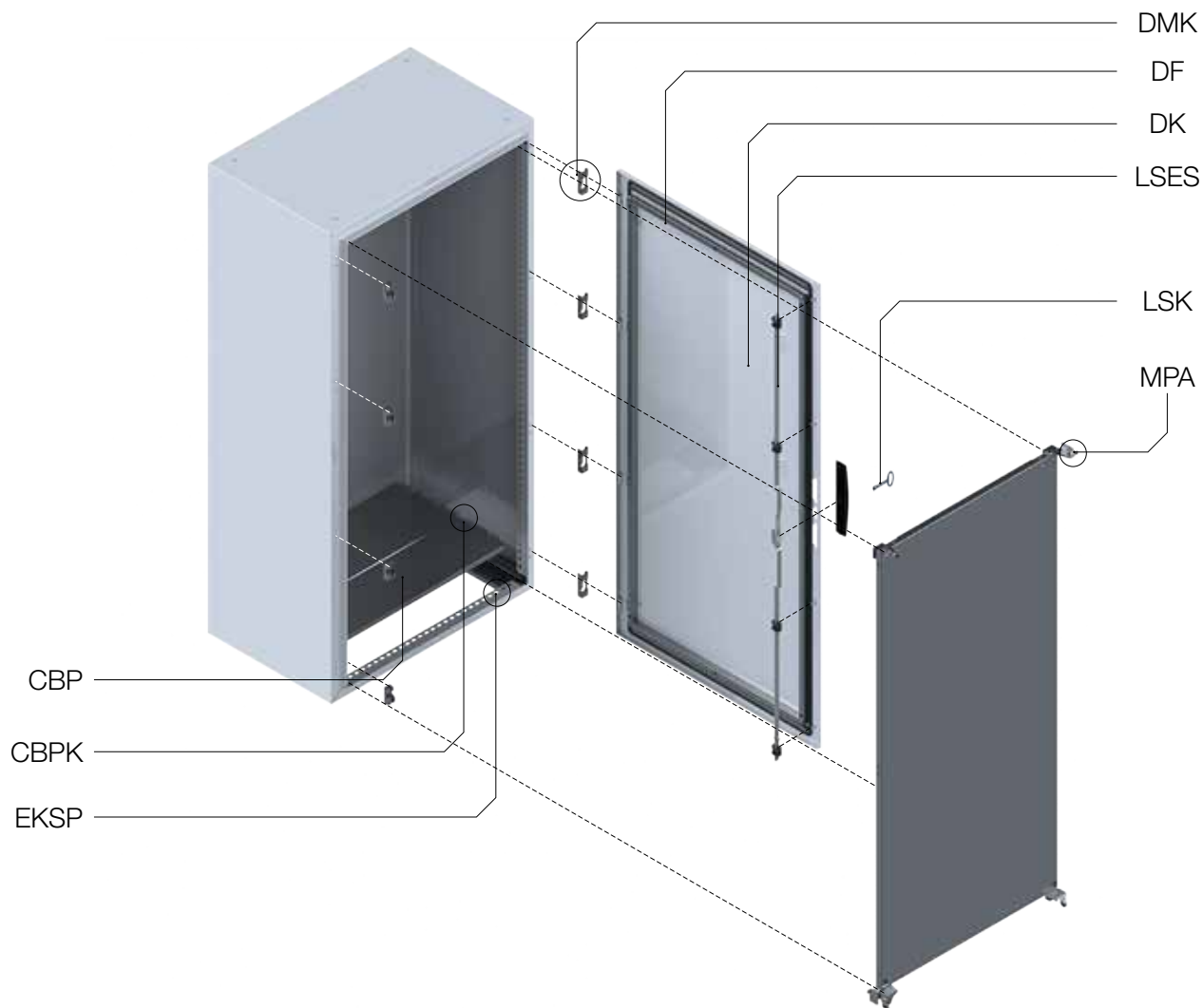


Replacement parts	Description	Page No.
D	MultiFlex plain door	62
LSED	Locking system	65
DF	Door frame	67
DMK	Door mounting kit	68
CCR	Roof plate	69
CCRK	Roof mounting kit	71
LSK	Key	68
CRP	Rear panel	70
CRPK	Rear panel mounting kit	71
CBP	Bottom plate	73
CBPK	Bottom plate mounting kit	74
MPA	Mounting plate brackets	72
DPSL	Door plastic support	72

Floor Standing Enclosures

Mild steel

Single door enclosure,
compact version | EKS

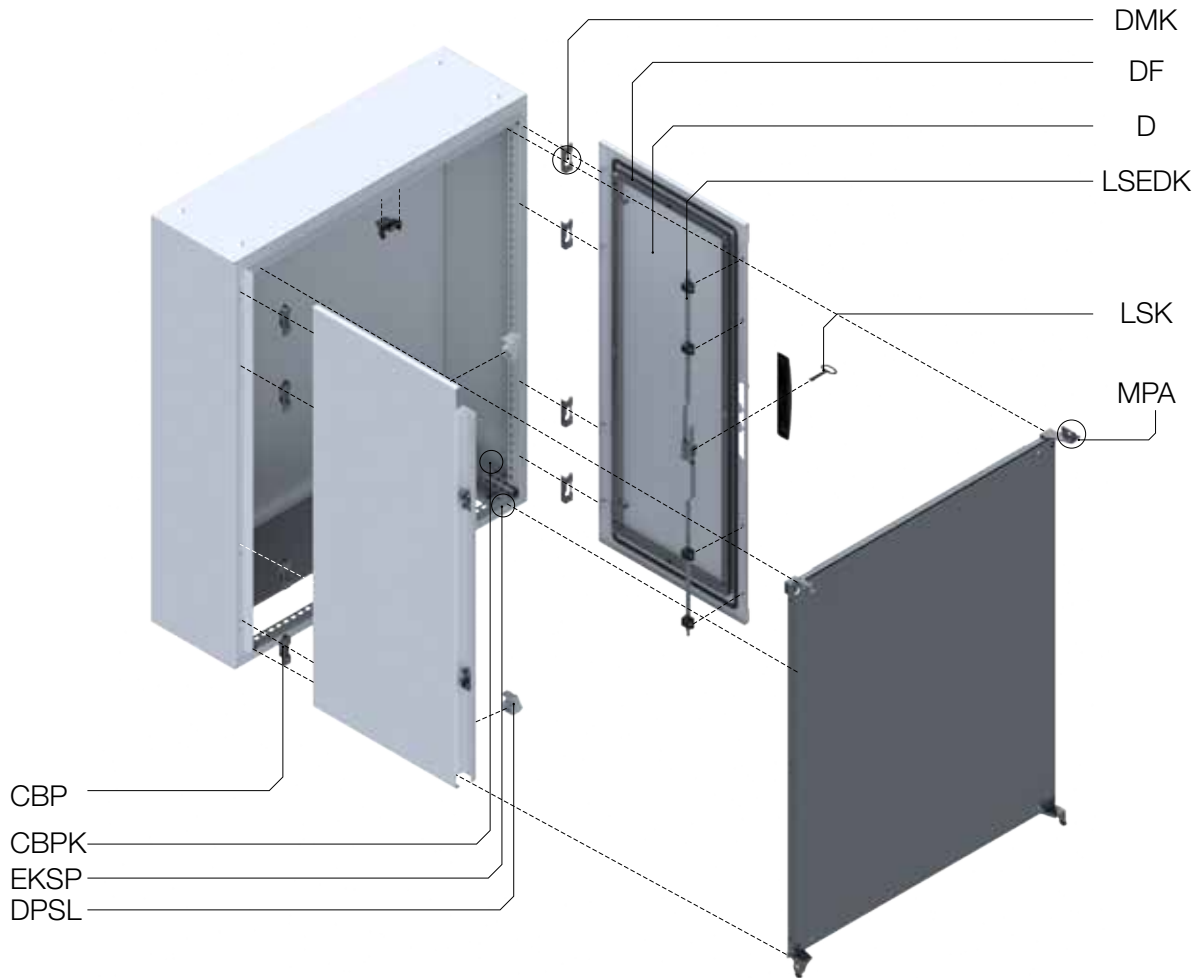


Replacement parts	Description	Page No.
DK	MultiK doors	63
LSES	Locking system	65
DF	Door Frame	67
DMK	Door mounting kit	68
LSK	Key	68
EKSP	MultiK sliding profiles	75
CBP	Bottom plate	73
CBPK	Bottom plate mounting kit	74
MPA	Mounting plate brackets	72

Floor Standing Enclosures

Mild steel

Double door enclosure,
compact version | EKD

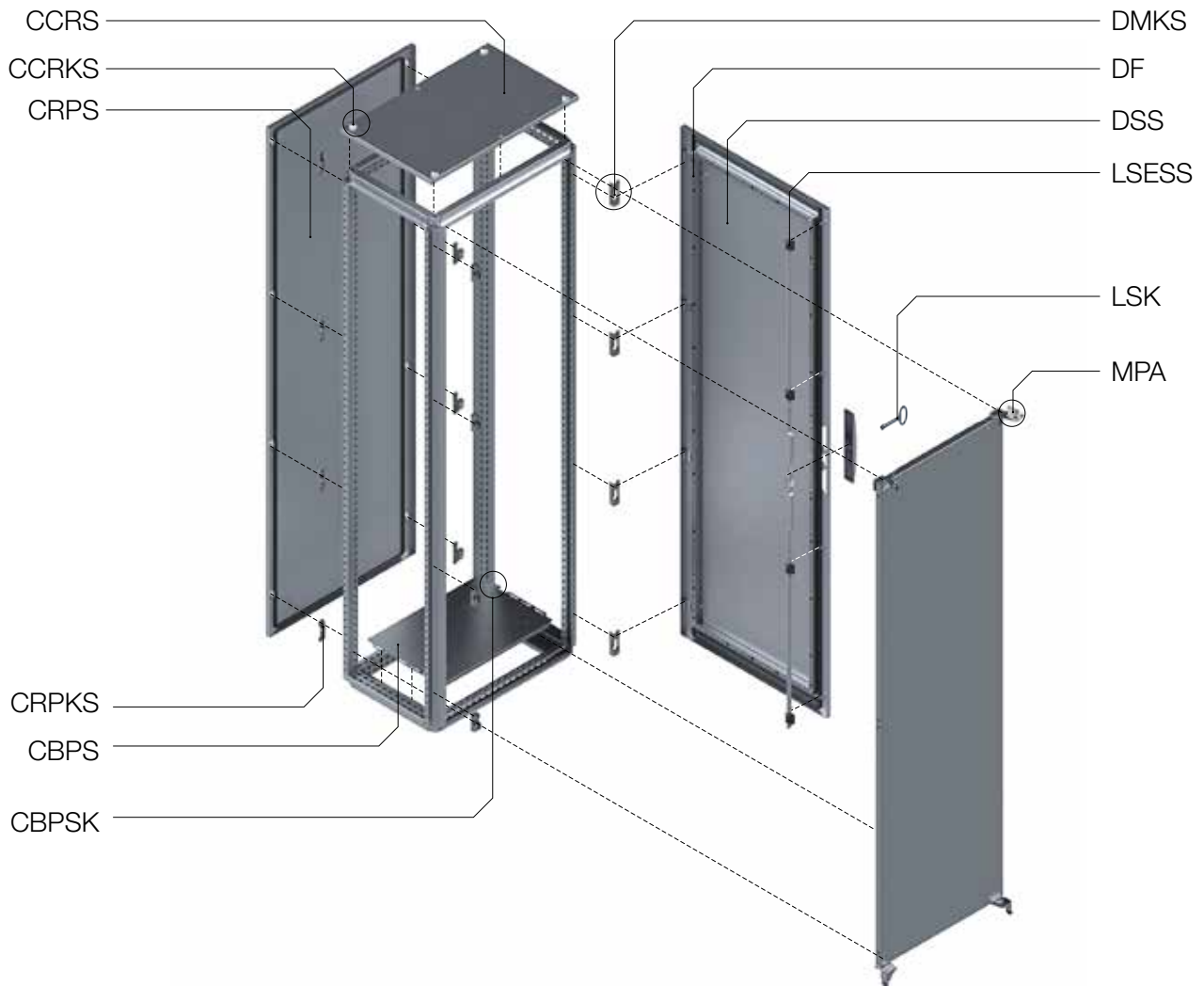


Replacement parts	Description	Page No.
DK	MultiK doors	63
LSEDK	Locking system	65
DF	Door frame	67
DMK	Door mounting kit	68
LSK	Key	68
EKSP	MultiK sliding profiles	75
EKMP	MultiK middle profiles	76
CBP	Bottom plate	73
CBPK	Bottom plate mounting kit	74
MPA	Mounting plate brackets	72
DPSL	Door plastic support	72

Floor Standing Enclosures

Stainless steel

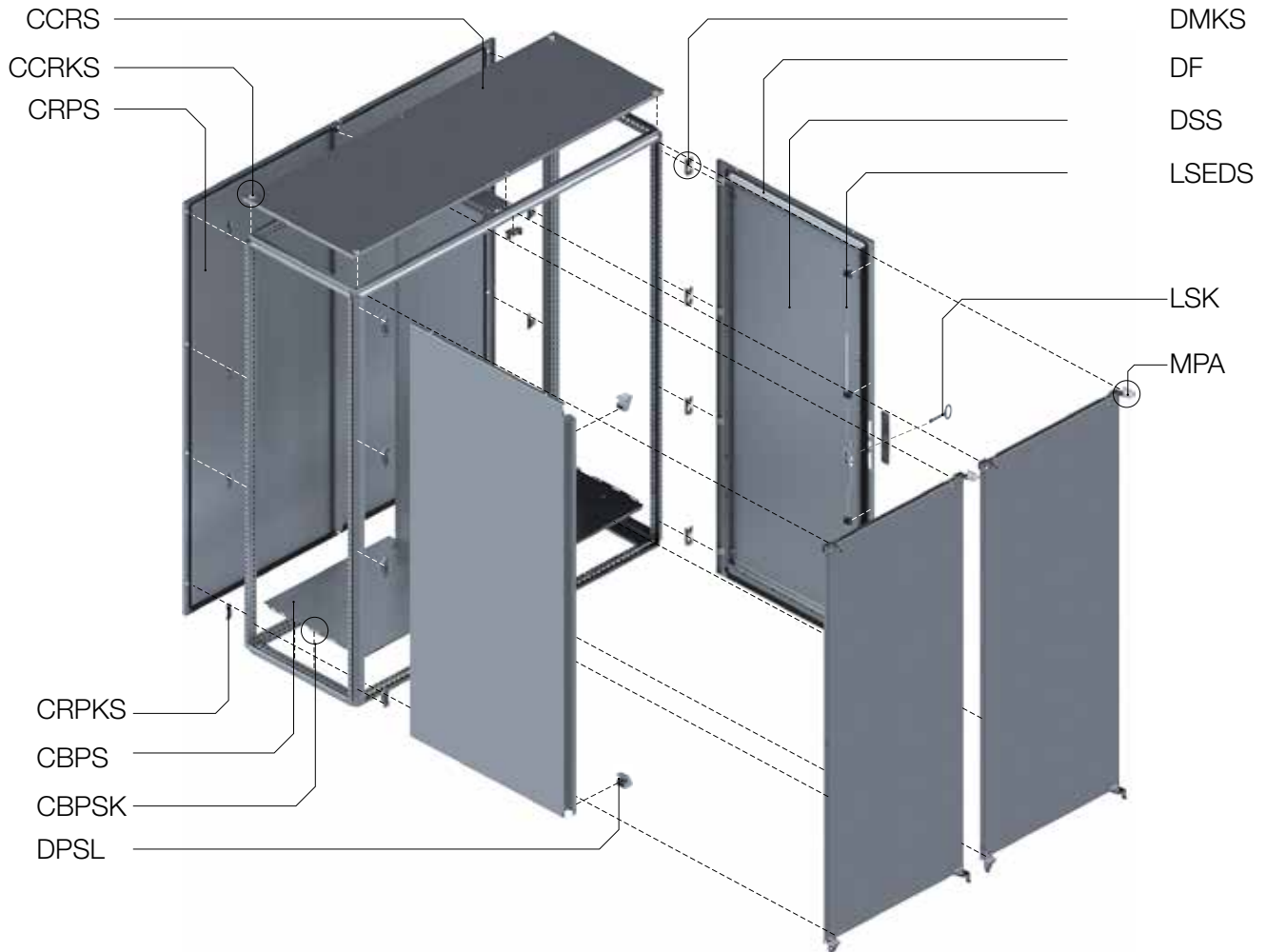
Single door enclosure, combinable version | MCSS



Replacement parts	Description	Page No.
DSS	Stainless steel plain door	64
LSESS	Locking system	66
DF	Door frame	67
DMKS	Door mounting kit	68
CCRS	Roof plate	69
CCRKS	Roof mounting kit	71
LSK	Key	68
CRPS	Rear panel	70
CRPKS	Rear panel mounting kit	71
CBPS	Stainless steel bottom plate	74
CBPSK	Stainless steel bottom plate mounting kit	74
MPA	Mounting plate brackets	72

Floor Standing Enclosures Stainless steel

Double door enclosure,
combinable version | MCDS

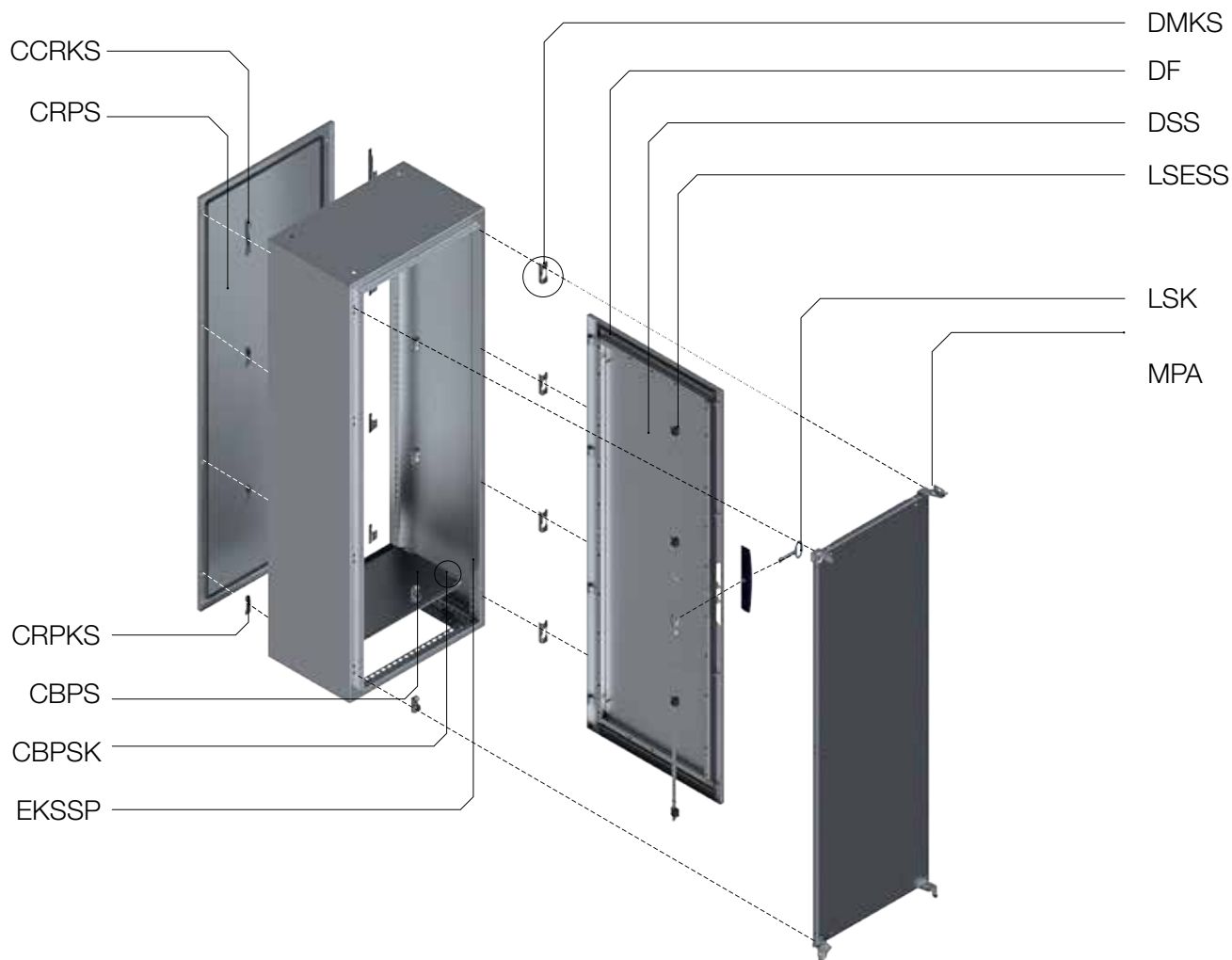


Replacement parts	Description	Page No.
DSS	Stainless steel plain door	64
LSEDS	Locking system	66
DF	Door frame	67
DMKS	Door mounting kit	68
CCRS	Roof plate	69
CCRKS	Roof mounting kit	71
LSK	Key	68
CRPS	Rear panel	70
CRPKS	Rear panel mounting kit	71
CBPS	Stainless steel bottom plate	74
CBPSK	Stainless steel bottom plate mounting kit	74
MPA	Mounting plate brackets	72
DPSL	Door plastic support	72

Floor Standing Enclosures

Stainless steel

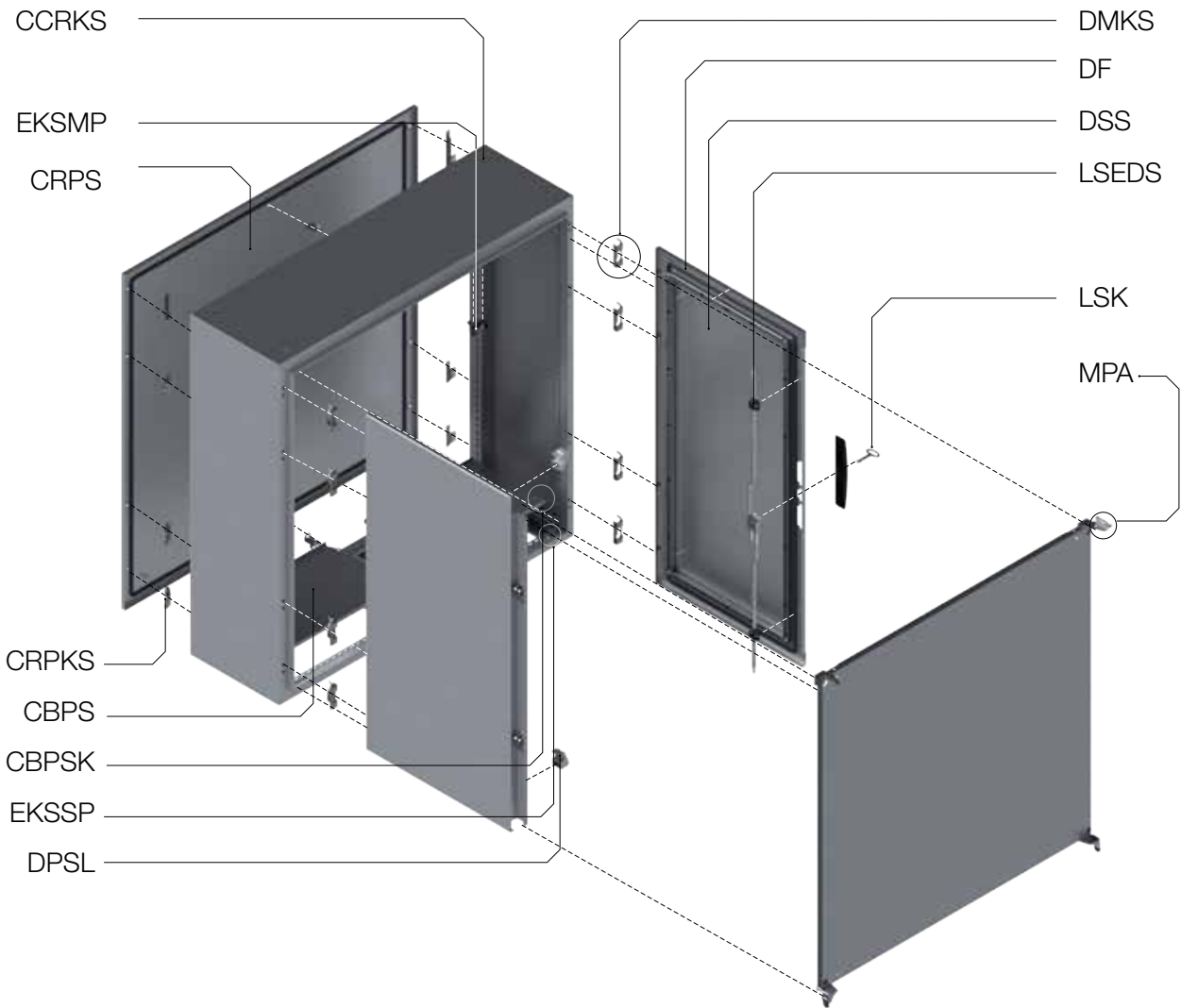
Single door enclosure, compact version | EKSS



Replacement parts	Description	Page No.
DSS	Stainless steel plain door	64
LSESS	Locking system	66
DF	Door frame	67
DMKS	Door mounting kit	68
CCRKS	Stainless steel roof mounting kit	71
LSK	Key	68
EKSSP	MultiK profiles	75
CRPS	Stainless steel rear panel	70
CRPSK	Rear panel brackets	71
CBPS	Plain bottom plates	74
CBPSK	Stainless steel bottom plate mounting kit	74
MPA	Mounting plate brackets	72

Floor Standing Enclosures Stainless steel

Double door enclosure,
compact version | EKDS



Replacement parts	Description	Page No.
DSS	Stainless steel plain door	64
LSEDS	Locking system	66
DF	Door frame	67
DMKS	Door mounting kit	68
CCRKS	Roof mounting kit	71
LSK	Key	68
EKSSP	MultiK profiles	75
EKSMMP	Stainless steel MultiK middle profiles	76
CRPS	Stainless steel rear panel	70
CRPSK	Rear panel brackets	71
CBPS	Plain bottom plates	74
CBPSK	Stainless steel bottom plate mounting kit	74
MPA	Mounting plate brackets	72
DPSL	Door plastic support	72



Floor Standing Enclosures

Replacement parts

Replacement parts	61
Plain door D	62
MultiK plain door DK	63
Stainless steel plain door DSS	64
MultiFlex locking system LSES LSED	65
MultiK locking system LSES LSEDK	65
MultiK and Multiflex locking system LSESS LSEDS	66
MultiFlex door frame DF	67
Door mounting kit DMK	68
Stainless steel door mounting kit DMKS	68
Key LSK	68
Roof plate CCR	69
Stainless steel roof plate CCRS	69
Rear panel CRP	70
Stainless steel rear panel	70
Roof mounting kit CCRK	71
Stainless steel roof mounting kit CCRKS	71
Rear panel mounting kit CRPK	71
Stainless steel rear panel mounting kit CRPKS	71
Side panel SPM	72
Door plastic support DPSL	72
Mounting plate brackets MPA	72
Bottom plate CBP	73
Stainless steel bottom plate CBPS	74
Bottom plate screws CBPK	74
Stainless steel bottom plate screws CBPSK	74
MultiK sliding profiles EKSP	75
Stainless steel MultiK sliding profiles EKSSP	75
MultiK middle profiles EKMP	76
Stainless steel MultiK profiles EKSMF	76
Monitor door DPM	76
Monitor door DPMB	76
Hinged keyboard tray DPK	77

Floor Standing Enclosures

Replacement parts

MultiFlex plain door | D

Description: Standard door equipped with double-bit 3mm lock system and door frame. Door accessory kit DMK (hinges, rod catches) to be ordered separately. Allows all the options of the locking program and 180° hinges.

Material: 2mm steel plate.

Finish: RAL 7035 structured powder coating.

Pack quantity: 1 piece.

Maximum load: 800 N.

Mounting requirement: Use hinge kit DMK01 (single door) or DMK02 (double door) if no door was fitted previously.



H	W	Part No.
Plain door		
1100	600	D1106R5
1400	800	D1408R5
1600	600	D1606R5
	800	D1608R5
	1000	D1610R5
1800	500	D1805R5
	600	D1806R5
	800	D1808R5
	1000	D1810R5
2000	500	D2005R5
	600	D2006R5
	800	D2008R5
	1000	D2010R5
2200	600	D2206R5
	800	D2208R5

Left door		
1600	600	D1606LR5
1800	400	D1804LR5
	500	D1805LR5
	600	D1806LR5
	800	D1808LR5
2000	400	D2004LR5
	500	D2005LR5
	600	D2006LR5
	800	D2008LR5
2200	500	D2205LR5
	600	D2206LR5

Right door		
1600	600	D1606RR5
1800	400	D1804RR5
	500	D1805RR5
	600	D1806RR5
	800	D1808RR5
2000	400	D2004RR5
	500	D2005RR5
	600	D2006RR5
	800	D2008RR5
2200	500	D2205RR5
	600	D2206RR5

Floor Standing Enclosures

Replacement parts

MultiK plain door | DK

Description: Standard door equipped with double-bit 3mm lock system and door frame. Door accessory kit DMK (hinges, rod catches) to be ordered separately. Allows all the options of the locking program and 180° hinges.

Material: 2mm steel plate.

Finish: RAL 7035 structured powder coating.

Pack quantity: 1 piece.

Maximum load: 800 N.

Mounting requirement: Use hinge kit DMK01 (single door) or DMK02K (double door) if no door was fitted previously.



H	W	Part No.
Plain door		
1200	600	DK1206
	800	DK1208
1400	600	DK1406
	800	DK1408
1600	600	DK1606
	800	DK1608
	1000	DK1610
1800	600	DK1806
	800	DK1808
	1000	DK1810
2000	600	DK2006
	800	DK2008
	1000	DK2010

Left door		
1200	1200	DK1206L
1400	1000	DK1405L
	1200	DK1406L
1600	1200	DK1606L
	1200	DK1806L
1800	1600	DK1808L
	1200	DK2006L
2000	1600	DK2008L

Right door		
1200	1200	DK1206R
1400	1000	DK1405R
	1200	DK1406R
1600	1200	DK1606R
	1200	DK1806R
1800	1600	DK1808R
	1200	DK2006R
2000	1600	DK2008R

Floor Standing Enclosures

Replacement parts

MultiK and MultiFles stainless steel plain door | DSS

Description: Standard door equipped with double-bit 3mm lock system and door frame. Door accessory kit DMKS (hinges, rod catches) to be ordered separately. Allows all the options of the locking program and 180° hinges.

Material: 2mm AISI 304L stainless steel plate / AISI 316L (on request).

Finish: 240s pre-grained stainless steel (0.5 microns average).

Pack quantity: 1 piece.

Maximum load: 800 N.

Mounting requirement: Use hinge kit DMKS01 / DMKS02 if no door was fitted previously.



H	W	Part No.
Plain door		
1400	800	DSS1408
1600	600	DSS1606
	800	DSS1608
	1000	DSS1610
1800	600	DSS1806
	800	DSS1808
	1000	DSS1810
2000	600	DSS2006
	800	DSS2008
	1000	DSS2010

Left door		
1200	1200	DSS1212L
1600	1200	DSS1612L
1800	1000	DSS1810L
	1200	DSS1812L
	1600	DSS1816L
2000	1200	DSS2012L

Right door		
1200	1200	DSS1212R
1600	1200	DSS1612R
1800	1000	DSS1810R
	1200	DSS1812R
	1600	DSS1816R
2000	1200	DSS2012R

Floor Standing Enclosures Replacement parts

MultiFlex locking system | LSES | LSED

Description: Complete espagnolette system for single (LSES) or double door (LSED) for MultiFlex enclosures.

Pack quantity: Complete set for one door.

H	Part No.
Single door	
1100	LSES1100
1400	LSES1400
1600	LSES1600
1800	LSES1800
2000	LSES2000
2200	LSES2200
Double door	
1600	LSED1600
1800	LSED1800
2000	LSED2000
2200	LSED2200



MultiK locking system | LSES | LSEDK

Description: Complete espagnolette system for single (LSES) or double door (LSEDK) MultiK enclosures.

Pack quantity: Complete set for one door.

H	Part No.
Single door	
1200	LSES1200
1400	LSES1400
1600	LSES1600
1800	LSES1800
2000	LSES2000
Double door	
1200	LSEDK1200
1400	LSEDK1400
1600	LSEDK1600
1800	LSEDK1800
2000	LSEDK2000
2200	LSEDK2200



Floor Standing Enclosures

Replacement parts

MultiK and MultiFlex stainless steel locking system LSESS | LSEDS

Description: Complete espagnolette system for single (LSESS) or double door (LSEDS) stainless steel enclosures.

Pack quantity: Complete set for one door.

H	Part No.
Single door	
1400	LSESS1400
1600	LSESS1600
1800	LSESS1800
2000	LSESS2000
Double door	
1200	LSEDS1200
1600	LSEDS1600
1800	LSEDS1800
2000	LSEDS2000



Floor Standing Enclosures

Replacement parts

Floor Standing door frame | DF

Description: Gives the door extra rigidity and is removable. The hole pattern in steps of 25mm allows mounting of several accessories.

Pack quantity: Complete set for one door.



H	W	Part No.
Plain Door		
1100	600	DF1106
1400	800	DF1408
1600	600	DF1606
	800	DF1608
	1000	DF1610
1800	500	DF1805
	600	DF1806
	800	DF1808
	1000	DF1810
	2000	DF2005
	600	DF2006
	800	DF2008
	1000	DF2010
	2200	DF2206
	800	DF2208

Left door		
1200	600	DF1206L
1400	500	DF1405L
	600	DF1406L
	600	DF1606L
1800	400	DF1804L
	500	DF1805L
	600	DF1806L
	800	DF1808L
	2000	DF2004L
	500	DF2005L
	600	DF2006L
	800	DF2008L
	2200	DF2205L
	600	DF2206L

Right door		
1200	600	DF1206R
1400	500	DF1405R
	600	DF1406R
	600	DF1606R
1800	400	DF1804R
	500	DF1805R
	600	DF1806R
	800	DF1808R
	2000	DF2004R
	500	DF2005R
	600	DF2006R
	800	DF2008R
	2200	DF2205R
	600	DF2206R

Floor Standing Enclosures

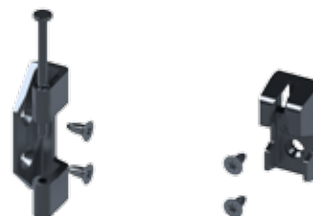
Replacement parts

Door mounting kit | DMK

Description: Required when fitting a door. Only needed when there was no door mounted previously.

Pack quantity: 1 complete kit with hinges, rod catches and mounting accessories.

Description	Part No.
For single door enclosures	DMK01
For double door enclosures	DMK02
For Multi-K double door enclosures	DMK02K

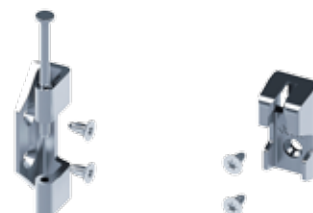


Stainless steel door mounting kit | DMKS

Description: Required when fitting a door. Only needed when there was no door mounted previously.

Pack quantity: 1 complete kit with hinges, rod catches and mounting accessories.

Descripton	Part No.
For single door enclosures	DMKS01
For double door enclosures	DMKS02



Key | LSK

Description: Key with Eldon logo. Easy to use design and provides a good grip.

Material: Die cast alloy.

Pack quantity: 1 piece.

Descripton	Part No.
Plastic DIN3	LSK502
Metallic DIN 3mm	LSK503
Metallic DIN 5mm	LSK505
Metallic Square 7mm	LSK523
Metallic Square 8mm	LSK524
Metallic Triangle 7mm	LSK526
Metallic Triangle 8mm	LSK527



Floor Standing Enclosures Replacement parts

Roof plate | CCR

Description: Standard roof plate to cover the top of the floor standing MultiFlex range.

Material: 1.35mm steel plate.

Finish: RAL7035 structured powder coating.

Pack quantity: 1 piece without mounting accessories.

Mounting requirement: Standard roof plate for separate delivery. For mounting, add CCRKS mounting kit.



W	D	Part No.
400	400	CCR044R5
500	500	CCR055R5
600	400	CCR064R5
	500	CCR065R5
	600	CCR066R5
800	800	CCR068R5
	400	CCR084R5
	500	CCR085R5
	600	CCR086R5
1000	800	CCR088R5
	400	CCR104R5
	500	CCR105R5
	600	CCR106R5
1200	800	CCR108R5
	400	CCR124R5
	500	CCR125R5
1400	600	CCR126R5
	800	CCR128R5
	400	CCR144R5
1600	400	CCR164R5
	500	CCR165R5
	600	CCR166R5

Stainless steel roof plate | CCRS

Description: Standard roof plate to cover the top of the floor standing Stainless steel enclosures range.

Material: 1.5mm AISI 304L stainless steel plate.

Finish: 2405 pre-grained stainless steel (0.5 microns average).

Pack quantity: 1 piece without mounting accessories.

Mounting requirement: Standard roof plate for separate delivery. For mounting, add CCRKS mounting kit.



W	D	Part No.
600	500	CCRS065
	600	CCRS066
800	500	CCRS085
	600	CCRS086
1000	500	CCRS105
	600	CCRS106
1200	500	CCRS125
	600	CCRS126

Floor Standing Enclosures

Replacement parts

Rear panel | CRP

Description: Can be replaced by a plain or transparent door.

Material: 1.35mm steel plate.

Delivery: 1 rear panel with mounting accessories.

H	W	Part No.
1100	600	CRP1106R5
1400	800	CRP1408R5
1600	600	CRP1606R5
	800	CRP1608R5
1800	1000	CRP1610R5
	1200	CRP1612R5
	600	CRP1806R5
2000	800	CRP1808R5
	1000	CRP1810R5
	1200	CRP1812R5
2200	1600	CRP1816R5
	400	CRP2004R5
	600	CRP2006R5
	800	CRP2008R5
2400	1000	CRP2010R5
	1200	CRP2012R5
	1600	CRP2016R5
	600	CRP2206R5
2600	800	CRP2208R5
	1000	CRP2210R5



Stainless steel rear panel | CRPS

Description: Can be replaced by a plain or transparent door.

Material: 1.5mm AISI 304L stainless steel plate.

Finish: 2405 pre-grained stainless steel (0.5 microns average).

Delivery: 1 rear panel with mounting accessories.

H	W	Part No
1200	1200	CRPS1212
1400	800	CRPS1408
1600	600	CRPS1606
	800	CRPS1608
	1000	CRPS1610
1800	1200	CRPS1612
	600	CRPS1806
	800	CRPS1808
2000	1000	CRPS1810
	1200	CRPS1812
	1600	2 x CRPS1808
	600	CRPS2006
2200	800	CRPS2008
	1000	CRPS2010
	1200	CRPS2012
	1600	2 x CRP20008



Floor Standing Enclosures Replacement parts

Roof mounting kit | CCRK

Description: Standard mounting accessories for the CCR and CRG roof plates.

Delivery: 4 pieces M12x20, 4 pieces M6x12 and 4 pieces M12 plastic washers.

Part No.
CCRK08

Stainless steel roof mounting kit | CCRKS

Description: Standard mounting accessories for the CCRS roof plates.

Delivery: 4 pieces M12x20, 4 pieces M6x12 and 4 pieces M12 plastic washers.

Part No.
CCRKS08

Rear panel mounting kit | CRPK

Description: Standard mounting accessories for the back panel.

Delivery: 8 rear panel brackets, 16 pieces extrude-tite M6x12. EPDM sealing part.

W	Part No.
400	CRPK04
500	CRPK05
600	CRPK06
800	CRPK08
1200	CRPK12
1600	CRPK16

Stainless steel rear panel mounting kit CRPKS

Description: Standard mounting accessories for the back panel.

Delivery: 8 rear panel brackets, 16 pieces extrude-tite M6x12. EPDM sealing part.

W	Part No.
600	CRPKS06
800	CRPKS08
1200	CRPKS12
1600	CRPKS16*

* Includes vertical divider.



Floor Standing Enclosures

Replacement parts

Side panel for MCM | SPM

Description: Easy one-man assembly. Sealed by an extruded, one piece polyurethane gasket and mounted with 8 screws. Can be replaced by the side door DS.

Material: 1.35mm steel plate.

Finish: RAL7035 structured powder coating.

Pack quantity: 2 panels with mounting accessories.

Protection: IP 56, NEMA 4, 12 & 13

W	D	Part No.
1600	600	SPM1606MCM
	800	SPM1608MCM



Door plastic support | DPSL

Description: Helps to centre the door in case of uneven floor, easier closing and positioning of a heavily equipped door (cooling units, etc). Mounted directly to the door frame on the bottom and top of the door. Highly recommended when fitting loads from 30kg on door.

Delivery: 2 plastic supports with mounting accessories.

Part No.
DPSL01



Mounting plate brackets | MPA

Description: To fix mounting plates to the furthest position in the rear of the enclosure, including adjustment brackets for depth adjustment in steps of 25mm. Brackets are needed when an extra mounting plate is required or when the enclosure is ordered without mounting plate (PE).

Material: 3mm zinc plated steel.

Delivery: 2 top brackets, 2 bottom sliding brackets and 2 adjustment brackets with mounting accessories.

Part No.
MPA06



Floor Standing Enclosures Replacement parts

Bottom plate | CBP

Description: Consist of three or four pieces for easy cable access. To achieve perfect sealing around the cables use the gasket kit BG01.

Material: Zinc plated steel.

Pack quantity: 1 kit of two part bottom plate.



W	D	Part No.
400	400	CBP044
	500	CBP045
	600	CBP046
500	800	CBP048
	500	CBP055
	300	CBP063
600	400	CBP064
	500	CBP065
	600	CBP066
800	800	CBP068
	300	CBP083
	400	CBP084
1000	500	CBP085
	600	CBP086
	800	CBP088
1200	400	CBP104
	500	CBP105
	600	CBP106
1600	800	CBP108
	300	CBP123
	400	CBP124
1600	500	CBP125
	600	CBP126
	800	CBP128
1600	400	CBP164
	500	CBP165
	600	CBP166

Floor Standing Enclosures

Replacement parts

Stainless steel bottom plate | CBPS

Description: One-piece bottom plate with injected polyurethane gasket to ensure maximum sealing.

Material: 1.5mm AISI 304L stainless steel plate.

Finish: 2405 pre-grained stainless steel (0.5 microns average).

Pack quantity: 1 kit of two-part bottom plate.



W	D	Part No.
600	400	CBPS064
	500	CBPS065
	600	CBPS066
800	400	CBPS084
	500	CBPS085
	600	CBPS086
1000	400	CBPS104
	500	CBPS105
	600	CBPS106
1200	400	2 x CBPS064
	500	2 x CBPS065
	600	2 x CBPS066
1600	400	2 x CBPS084

Bottom plate screws | CBPK

Description: Standard mounting accessories for the bottom plate.

Pack quantity: 8 bottom plate screws.

Part No.
CBPK08



Stainless steel bottom plate screws CBPSK

Description: Standard mounting accessories for the stainless steel bottom plate.

Pack quantity: 6 bottom plate screws.

Part No.
CBPSK08



Floor Standing Enclosures Replacement parts

MultiK sliding profiles | EKSP

Description: Depth profiles for MultiK enclosures.

Material: 2mm zinc plated steel.

Pack quantity: 1 profile with mounting accessories

D	Location	Part No.
300	TopRight	EKSP30TR
	Top Left	EKSP30TL
	Bottom Right	EKSP30BR
	Bottom Left	EKSP30BL
400	TopRight	EKSP40TR
	Top Left	EKSP40TL
	Bottom Right	EKSP40BR
	Bottom Left	EKSP40BL
500	TopRight	EKSP50TR
	Top Left	EKSP50TL
	Bottom Right	EKSP50BR
	Bottom Left	EKSP50BL



Stainless steel MultiK sliding profiles EKSSP

Description: Depth profiles for MultiK enclosures.

Material: 2mm zinc plated steel.

Pack quantity: 1 profile with mounting accessories.

D	Location	Part No.
300	TopRight	EKSSP30TR
	Top Left	EKSSP30TL
	Bottom Right	EKSSP30BR
	Bottom Left	EKSSP30BL
400	TopRight	EKSSP40TR
	Top Left	EKSSP40TL
	Bottom Right	EKSSP40BR
	Bottom Left	EKSSP40BL
500	TopRight	EKSSP50TR
	Top Left	EKSSP50TL
	Bottom Right	EKSSP50BR
	Bottom Left	EKSSP50BL



Floor Standing Enclosures

Replacement parts

MultiK middle profiles | EKMP

Description: Depth middle profiles for double door wide MultiK enclosures.

Material: 2mm zinc plated steel.

Pack quantity: 1 profile with mounting accessories.

W	D	Part No.
1200	300	EKMP1203
	400	EKMP1204
	500	EKMP1205
1600	400	EKMP1604



Stainless steel MultiK and MultiFlex middle profiles EKSMF

Description: Depth middle profiles for double door 1600mm wide MultiK enclosures.

Material: 2mm zinc plated steel.

Pack quantity: 1 profile with mounting accessories.

D	Part No.
400	EKSMF04
500	EKSMF05
600	EKSMF06



Monitor door | DPM

Description: Monitor door, mounted with two hinges, safety glass. Viewing area for 14" - 21" monitor.

Pack quantity: 1 complete monitor door.

Part No.
DPM0506



Monitor door | DPMB

Description: Mounted with two hinges per door, two point locking system.

Pack quantity: 1 complete door.

Part No.
DPMB0806



Floor Standing Enclosures Replacement parts

Hinged keyboard tray | DPK

Description: Horizontal hinged keyboard tray with lateral sliding mouse pad (L.H. or R.H.). Equipped with panel stay. When the tray is folded out, the enclosure is sealed for dust ingress by a closed chamber.

Material: 1.75mm steel plate.

Finish: RAL 7035 structured powder coating.

Pack quantity: 1 door with hinges, lock, keyboard mounting support, mouse pad and mounting accessories.

Sizes: Max keyboard height 185mm, width 470mm, depth 50mm.



W	D	Part No.
250	600	DPK06R5



Floor Standing Enclosures

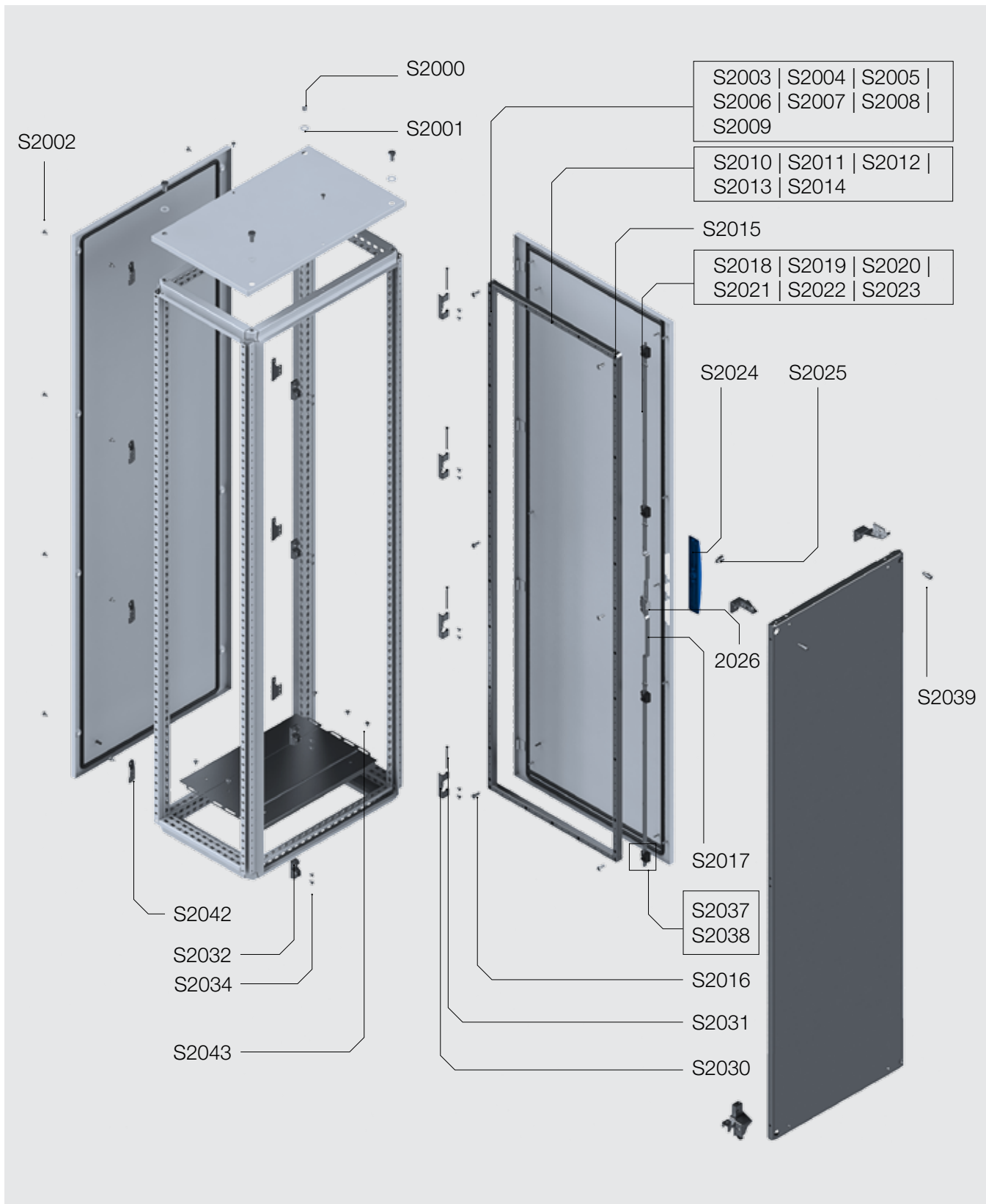
Spare parts

Spare parts		79
Mild steel	Single door enclosure, combinable version MCS	80
	Double door enclosure, combinable version MCD	82
	IP protected ICT rack MCI	84
	Industrial computer enclosure MCM	86
	Single door enclosure, semi-compact version MKS	88
	Double door enclosure, semi-compact version MKD	90
	Single door enclosure, compact version EKS	92
	Double door enclosure, compact version EKD	94
Stainless steel	Single door enclosure, combinable version MCSS	96
	Double door enclosure, combinable version MCDS	98
	Single door enclosure, compact version EKSS	100
	Double door enclosure, combinable version EKDS	102

Floor Standing Enclosures | Spare parts

Mild steel

Single door enclosure, combinable version | MCS

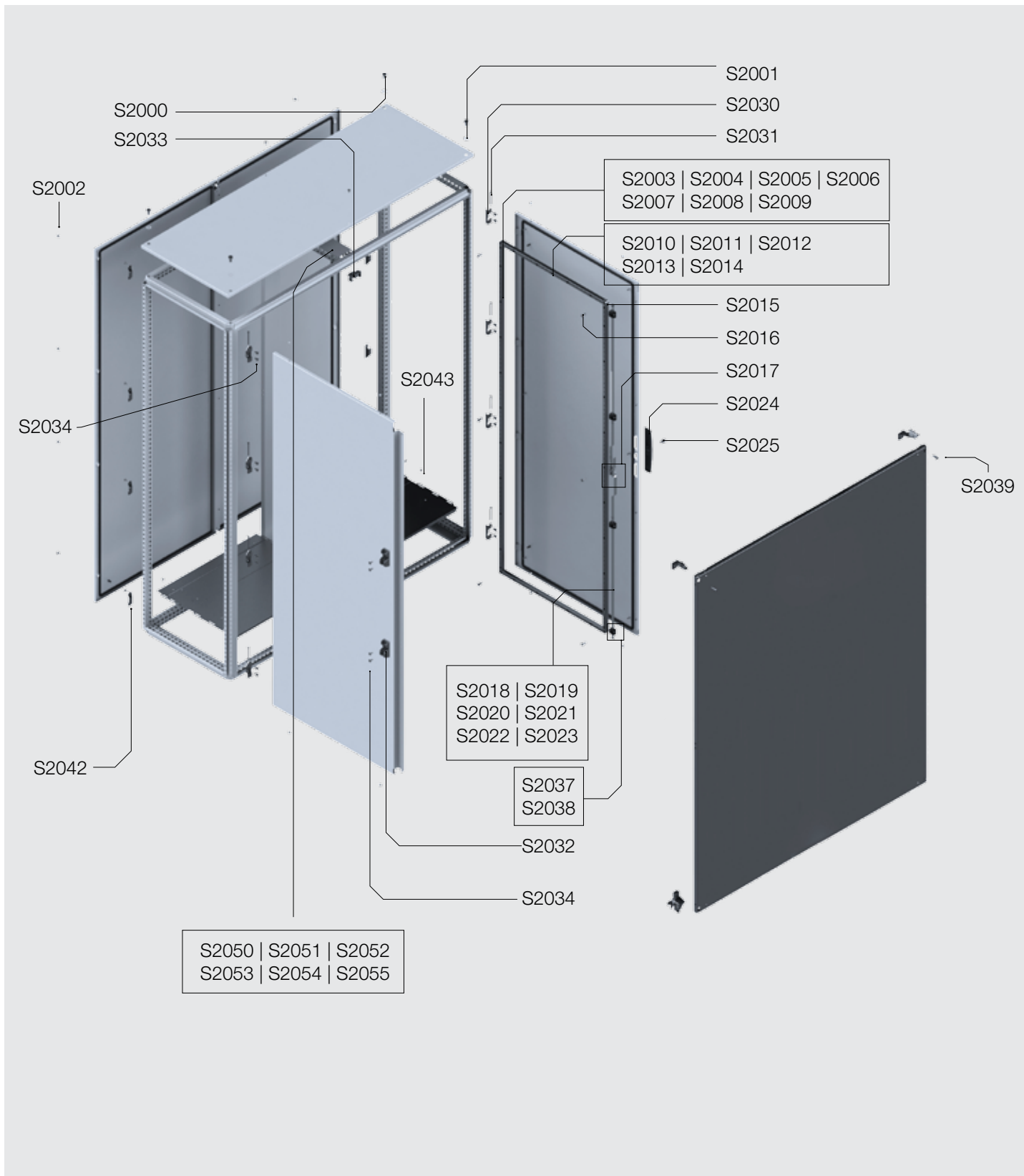


Spare part	Pack quantity	Description
S2000	100	Hexagon screw M12x20 DIN 933
S2001	100	M12 nylon washer
S2002	100	Extrude-tite screw M6x12
S2003	10	Door frame vertical profile 1100mm
S2004	10	Door frame vertical profile 1200mm
S2005	10	Door frame vertical profile 1400mm
S2006	10	Door frame vertical profile 1600mm
S2007	10	Door frame vertical profile 1800mm
S2008	10	Door frame vertical profile 2000mm
S2009	10	Door frame vertical profile 2200mm
S2010	10	Door frame horizontal profile 400mm
S2011	10	Door frame horizontal profile 500mm
S2012	10	Door frame horizontal profile 600mm
S2013	10	Door frame horizontal profile 800mm
S2014	10	Door frame horizontal profile 1000mm
S2015	10	Door frame corner pieces
S2016	100	Door frame corner nuts
S2017	10	Locking system center rod
S2018	10	Locking system rods 1100
S2019	10	Locking system rods 1400
S2020	10	Locking system rods 1600
S2021	10	Locking system rods 1800
S2022	10	Locking system rods 2000
S2023	10	Locking system rods 2200
S2024	10	Locking system cover
S2025	10	Plastic insert
S2026	10	Locking system plastic gear cover
S2027	10	Locking system gear
S2028	100	Locking system plastic gear cover screws
S2029	100	Locking system gear screw
S2030	10	Hinge base
S2031	10	Hinge pins
S2032	10	Lock catch single door
S2034	100	Countersunk extrude-tite M6x12 screws
S2035	100	Cagenut M6 T=1,5mm
S2037	50	Lock system rod plastic holders
S2038	100	Lock system rod plastic holder nuts
S2039	50	MP top screw
S2040	100	Screw M6x12 DIN 7985 T30 Galv
S2041	50	MP bottom screw
S2042	40	Rear panel bracket
S2043	100	Bottom plate screw ST5.5x10
S2056	100	IP plugs 5,5mm
S2057	100	IP plugs 8mm

Floor Standing Enclosures | Spare parts

Mild steel

Double door enclosure, combinable version | MCD

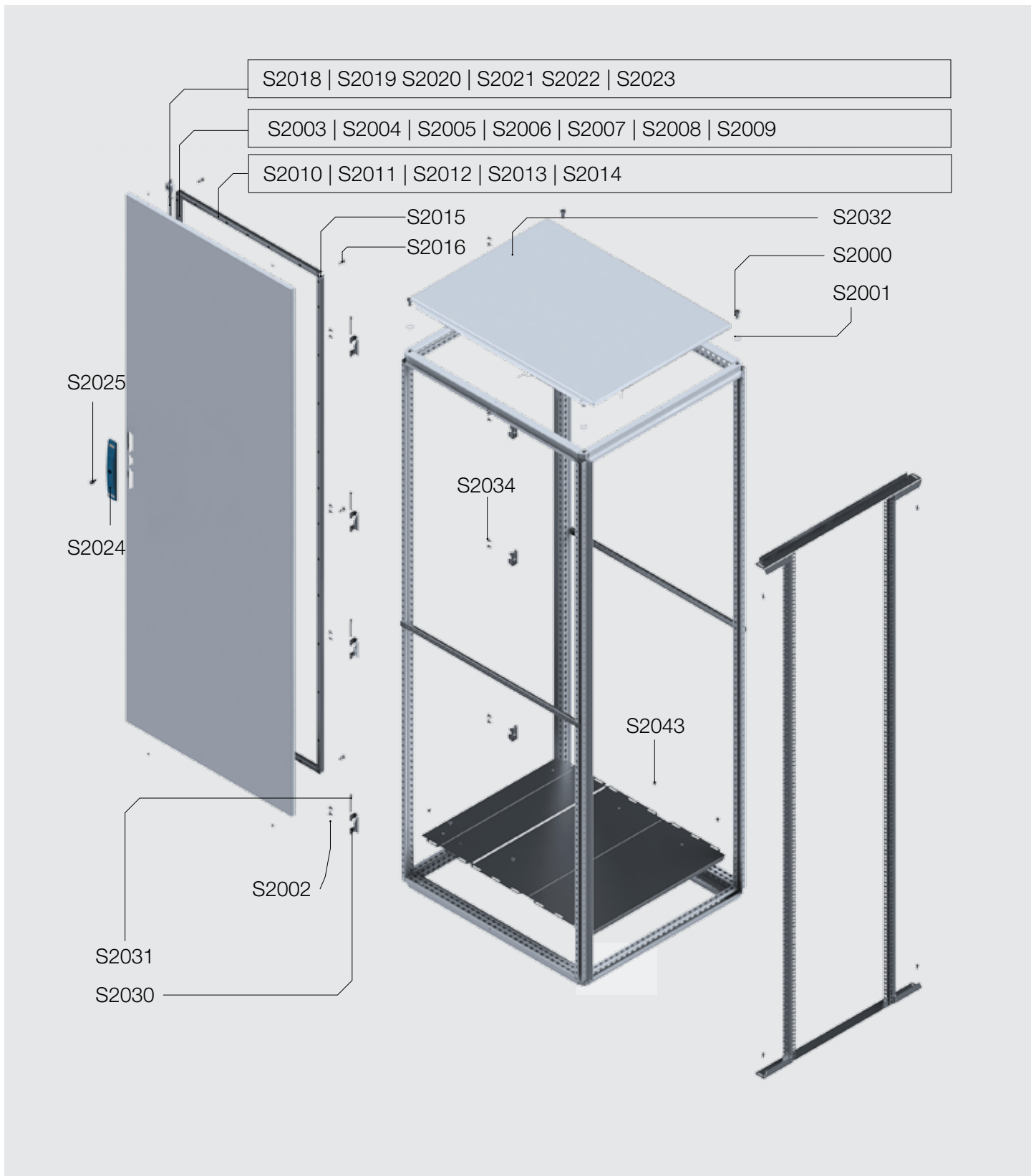


Spare part	Pack quantity	Description
S2000	100	Hexagon screw M12x20 DIN 933
S2001	100	M12 nylon washer
S2002	100	Extrude-tite screw M6x12
S2003	10	Door frame vertical profile 1100mm
S2004	10	Door frame vertical profile 1200mm
S2005	10	Door frame vertical profile 1400mm
S2006	10	Door frame vertical profile 1600mm
S2007	10	Door frame vertical profile 1800mm
S2008	10	Door frame vertical profile 2000mm
S2009	10	Door frame vertical profile 2200mm
S2010	10	Door frame horizontal profile 400mm
S2011	10	Door frame horizontal profile 500mm
S2012	10	Door frame horizontal profile 600mm
S2013	10	Door frame horizontal profile 800mm
S2014	10	Door frame horizontal profile 1000mm
S2015	10	Door frame corner pieces
S2016	100	Door frame corner nuts
S2017	10	Locking system center rod
S2018	10	Locking system rods 1100
S2019	10	Locking system rods 1400
S2020	10	Locking system rods 1600
S2021	10	Locking system rods 1800
S2022	10	Locking system rods 2000
S2023	10	Locking system rods 2200
S2024	10	Locking system cover
S2025	10	Plastic insert
S2026	10	Locking system plastic gear cover
S2027	10	Locking system gear
S2028	100	Locking system plastic gear cover screws
S2029	100	Locking system gear screw
S2030	10	Hinge base
S2031	10	Hinge pins
S2032	10	Lock catch single door
S2033	10	Lock catch double door
S2034	100	Countersunk extrude-tite M6x12 screws
S2035	100	Cagenut M6 T=1,5mm
S2037	50	Lock system rod plastic holders
S2038	100	Lock system rod plastic holder nuts
S2039	50	MP top screw
S2040	100	Screw M6x12 DIN 7985 T30 Galv
S2041	50	MP bottom screw
S2042	40	Rear panel bracket
S2043	100	Bottom plate screw ST5.5x10
S2044	10	Middle bottom mounting profile 300mm
S2045	10	Middle bottom mounting profile 400mm
S2046	10	Middlebottom mounting profile 500mm
S2047	10	Middle bottom mounting profile600mm
S2048	10	Middle bottom mounting profile 800mm
S2049	10	Middle bottom mounting profile 1000mm
S2050	10	Middle top profile 300mm
S2051	10	Middle top profile 400mm
S2052	10	Middle top profile 500mm
S2053	10	Middle top profile 600mm
S2054	10	Middle top profile 800mm
S2055	10	Middle top profile 1000mm
S2056	100	IP plugs 5,5mm
S2057	100	IP plugs 8mm

Floor Standing Enclosures | Spare parts

Mild steel

IP protected ICT rack | MCI

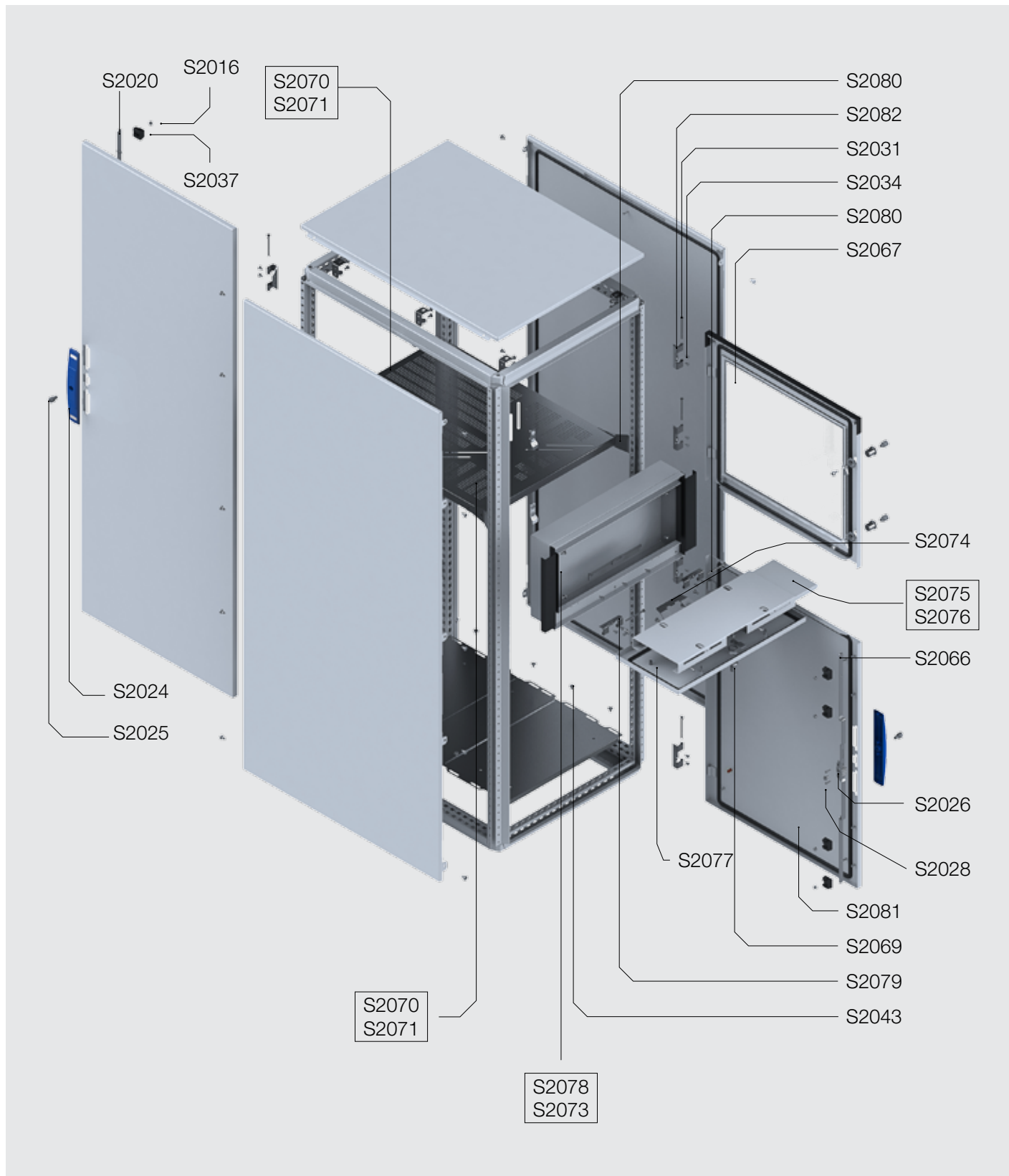


Spare part	Pack quantity	Description
S2000	100	Hexagon screw M12x20 DIN 933
S2001	100	M12 nylon washer
S2002	100	Extrude-tite screw M6x12
S2003	10	Door frame vertical profile 1100mm
S2004	10	Door frame vertical profile 1200mm
S2005	10	Door frame vertical profile 1400mm
S2006	10	Door frame vertical profile 1600mm
S2007	10	Door frame vertical profile 1800mm
S2008	10	Door frame vertical profile 2000mm
S2009	10	Door frame vertical profile 2200mm
S2010	10	Door frame horizontal profile 400mm
S2011	10	Door frame horizontal profile 500mm
S2012	10	Door frame horizontal profile 600mm
S2013	10	Door frame horizontal profile 800mm
S2014	10	Door frame horizontal profile 1000mm
S2015	10	Door frame corner pieces
S2016	100	Door frame corner nuts
S2017	10	Locking system center rod
S2018	10	Locking system rods 1100
S2019	10	Locking system rods 1400
S2020	10	Locking system rods 1600
S2021	10	Locking system rods 1800
S2022	10	Locking system rods 2000
S2023	10	Locking system rods 2200
S2024	10	Locking system cover
S2025	10	Plastic insert
S2026	10	Locking system plastic gear cover
S2027	10	Locking system gear
S2028	100	Locking system plastic gear cover screws
S2029	100	Locking system gear screw
S2030	10	Hinge base
S2031	10	Hinge pins
S2032	10	Lock catch single door
S2034	100	Countersunk extrude tite M6x12 screws
S2035	100	Cagenut M6 T=1,5mm
S2037	50	Lock system rod plastic holders
S2038	100	Lock system rod plastic holder nuts
S2040	100	Screw M6x12 DIN 7985 T30 Galv
S2043	100	Bottom plate screw ST5.5x10
S2056	100	IP plugs 5,5mm
S2057	100	IP plugs 8mm

Floor Standing Enclosures | Spare parts

Mild steel

Industrial computer enclosure | MCM

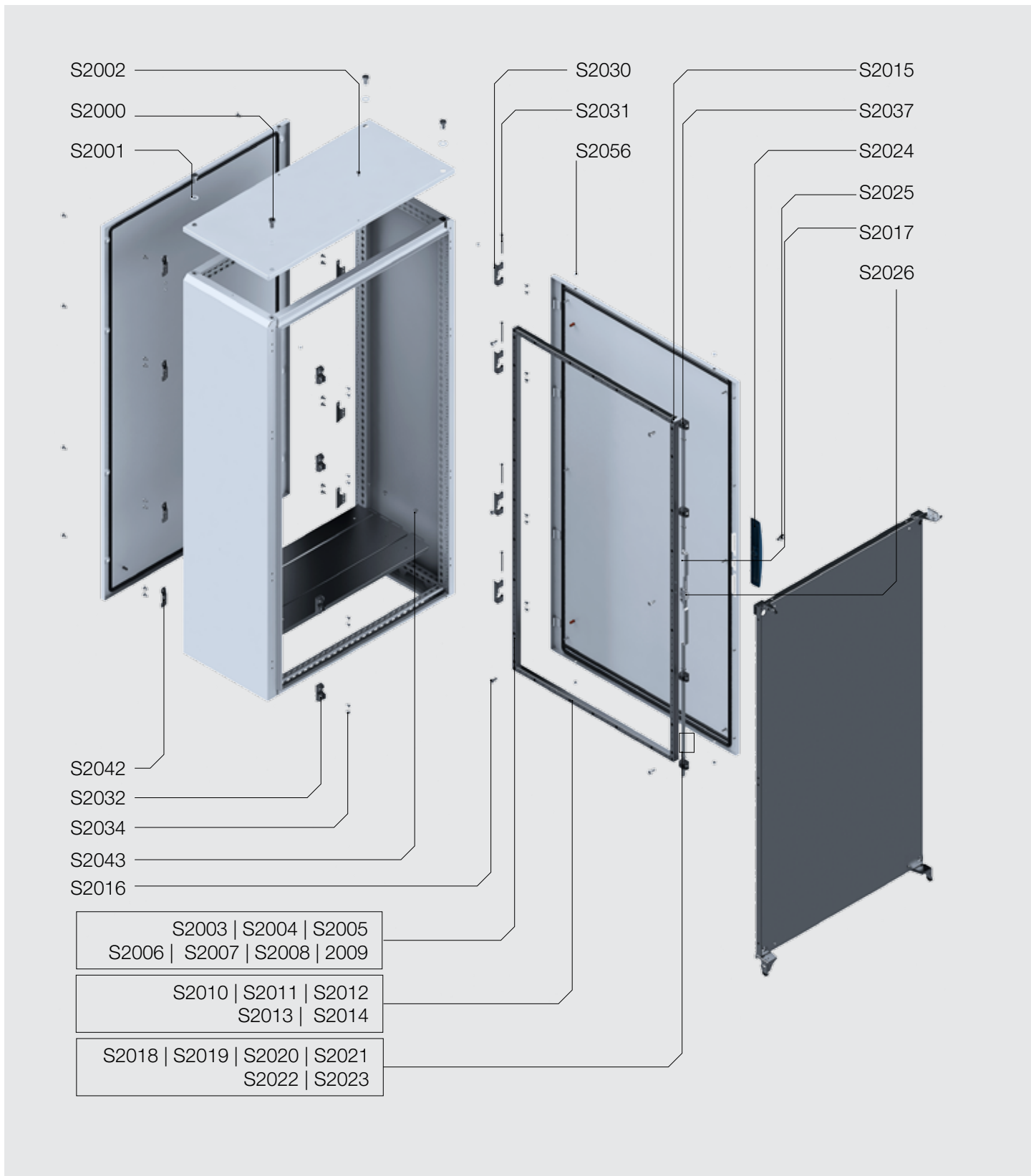


Spare part	Pack quantity	Description
S2006	10	Door frame vertical profile 1600mm
S2012	10	Door frame horizontal profile 600mm
S2015	10	Door frame corner pieces
S2016	100	Door frame corner nuts
S2017	10	Locking system center rod
S2020	10	Locking system rods 1600
S2024	10	Locking system cover
S2025	10	Plastic insert
S2026	10	Locking system plastic gear cover
S2027	10	Locking system gear
S2028	100	Locking system plastic gear cover screws
S2029	100	Locking system gear screw
S2030	10	Hinge base
S2031	10	Hinge pins
S2032	10	Lock catch single door
S2034	100	Countersunk extrude tite M6x12 screws
S2035	100	Cagenut M6 T=1,5mm
S2037	50	Lock system rod plastic holders
S2038	100	Lock system rod plastic holder nuts
S2040	100	Screw M6x12 DIN 7985 T30 Galv
S2043	100	Bottom plate screw ST5.5x10
S2056	100	IP plugs 5,5mm
S2057	100	IP plugs 8mm
S2066	10	Locking system rods 200
S2067	1	Monitor door
S2068	10	Panel lock (21mm Latch) C21323
S2069	10	Lock for keyboard tray
S2070	1	Shelf 066 MCM
S2071	1	Shelf 068 MCM
S2072	50	Cable inlet thule b=28
S2073	1	Closing box MCM
S2074	1	Bracket keyboard MCM, galv
S2075	1	Keyboard-plate MCM (RAL 7035)
S2076	1	Mouse-plate MCM (ral 7035)
S2077	1	Keyboard panel MCM
S2078	1	Keyboard frame MCM (ral 7015)
S2079	10	Keyboard tray hinge
S2080	10	Keyboard tray hinge pin
S2081	1	Bottom door MCM
S2082	10	Bracket monitorshelf MCM, galv

Floor Standing Enclosures | Spare parts

Mild steel

Single door enclosure, semi-compact version | MKS

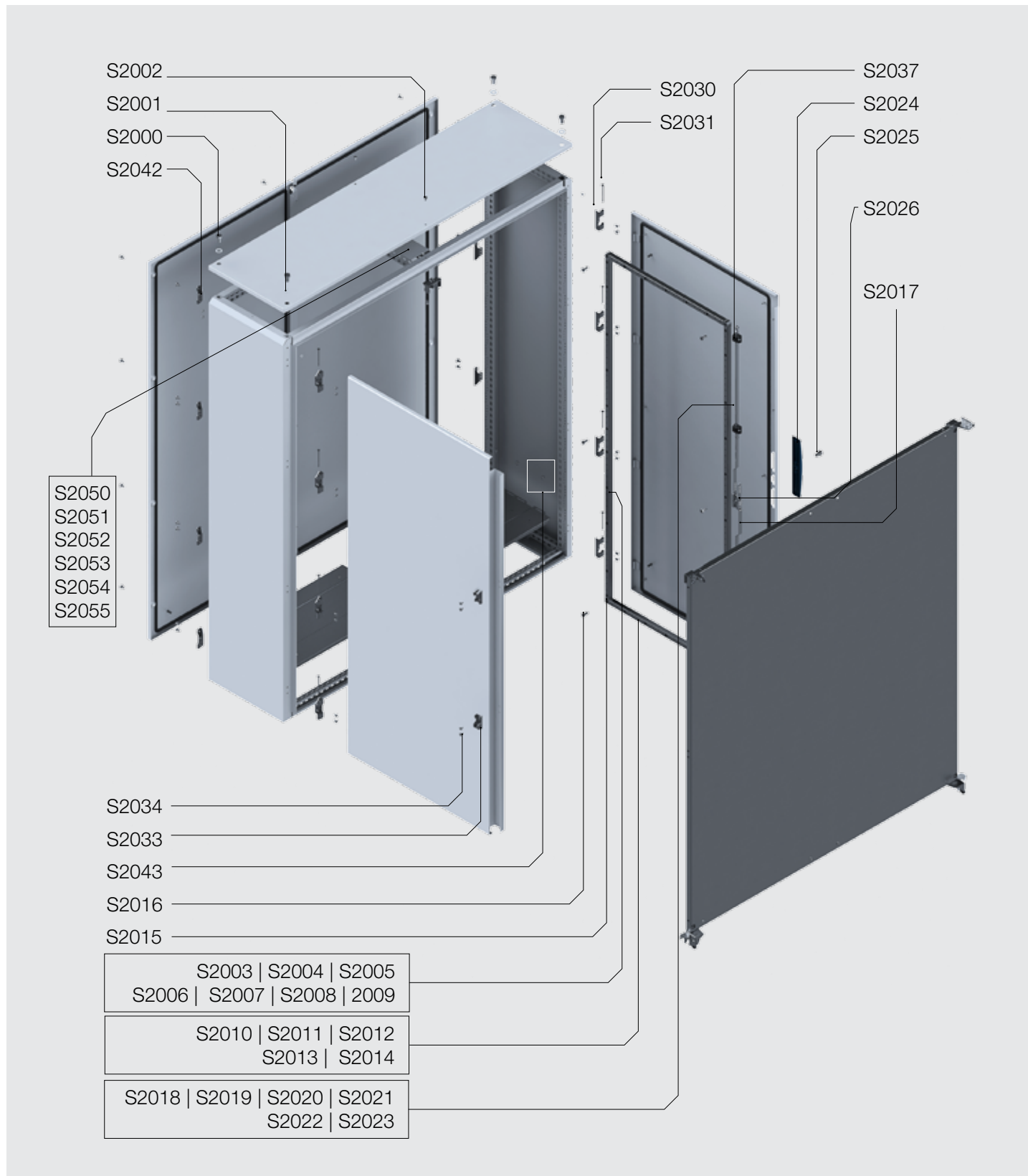


Spare part	Pack quantity	Description
S2000	100	Hexagon screw M12x20 DIN 933
S2001	100	M12 nylon washer
S2002	100	Extrude-tite screw M6x12
S2003	10	Door frame vertical profile 1100mm
S2004	10	Door frame vertical profile 1200mm
S2005	10	Door frame vertical profile 1400mm
S2006	10	Door frame vertical profile 1600mm
S2007	10	Door frame vertical profile 1800mm
S2008	10	Door frame vertical profile 2000mm
S2009	10	Door frame vertical profile 2200mm
S2010	10	Door frame horizontal profile 400mm
S2011	10	Door frame horizontal profile 500mm
S2012	10	Door frame horizontal profile 600mm
S2013	10	Door frame horizontal profile 800mm
S2014	10	Door frame horizontal profile 1000mm
S2015	10	Door frame corner pieces
S2016	100	Door frame corner nuts
S2017	10	Locking system center rod
S2018	10	Locking system rods 1100
S2019	10	Locking system rods 1400
S2020	10	Locking system rods 1600
S2021	10	Locking system rods 1800
S2022	10	Locking system rods 2000
S2023	10	Locking system rods 2200
S2024	10	Locking system cover
S2025	10	Plastic insert
S2026	10	Locking system plastic gear cover
S2027	10	Locking system gear
S2028	100	Locking system plastic gear cover screws
S2029	100	Locking system gear screw
S2030	10	Hinge base
S2031	10	Hinge pins
S2032	10	Lock catch single door
S2034	100	Countersunk extrude tite M6x12 screws
S2035	100	Cagenut M6 T=1,5mm
S2037	50	Lock system rod plastic holders
S2038	100	Lock system rod plastic holder nuts
S2039	50	MP top screw
S2040	100	Screw M6x12 DIN 7985 T30 Galv
S2041	50	MP bottom screw
S2042	40	Rear panel bracket
S2043	100	Bottom plate screw ST5.5x10
S2056	100	IP plugs 5.5 mm
S2057	100	IP plugs 8 mm

Floor Standing Enclosures | Spare parts

Mild steel

Double door enclosure, semi-compact version | MKD

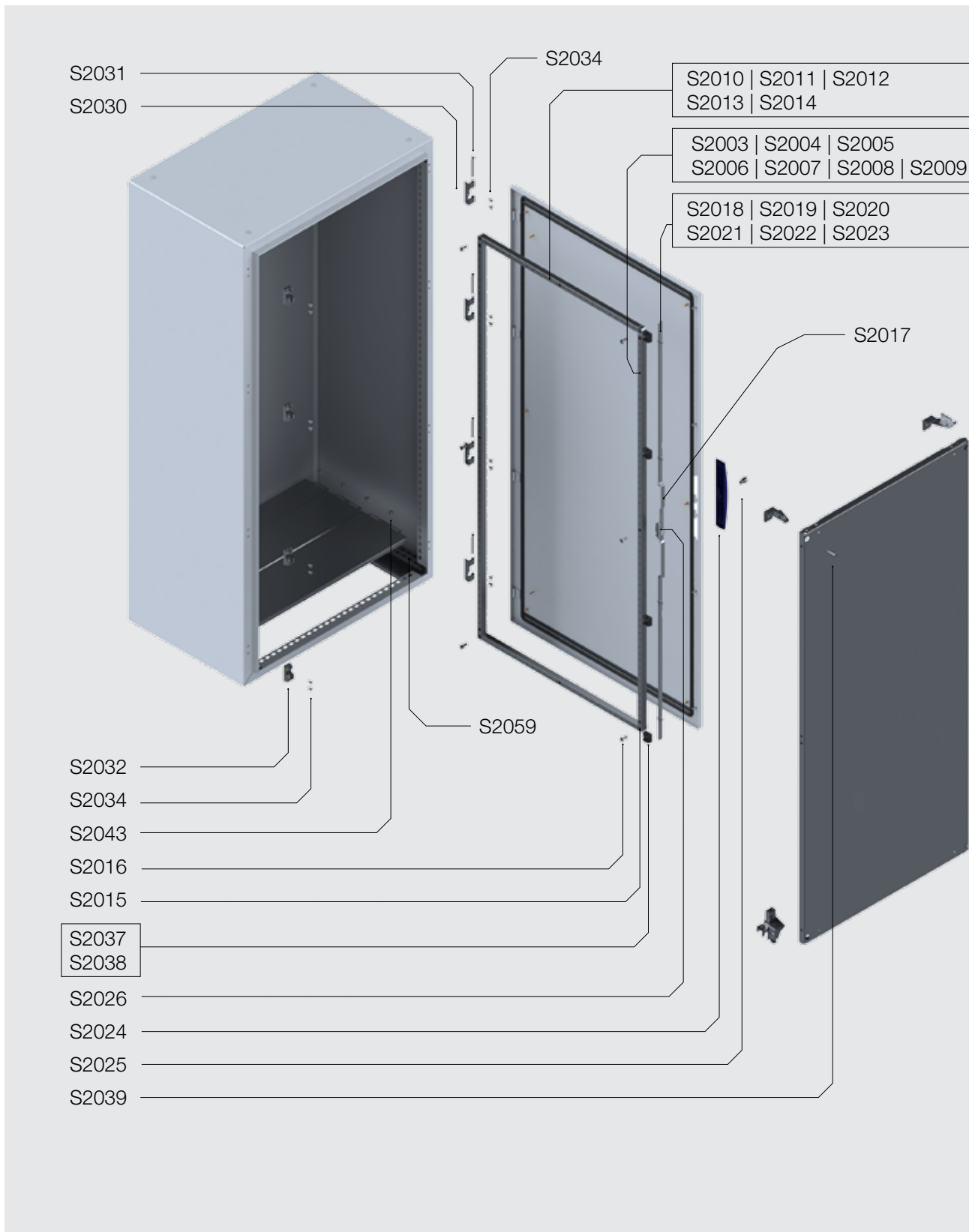


Spare part	Pack quantity	Description
S2000	100	Hexagon screw M12x20 DIN 933
S2001	100	M12 nylon washer
S2002	100	Extrude-tite screw M6x12
S2003	10	Door frame vertical profile 1100mm
S2004	10	Door frame vertical profile 1200mm
S2005	10	Door frame vertical profile 1400mm
S2006	10	Door frame vertical profile 1600mm
S2007	10	Door frame vertical profile 1800mm
S2008	10	Door frame vertical profile 2000mm
S2009	10	Door frame vertical profile 2200mm
S2010	10	Door frame horizontal profile 400mm
S2011	10	Door frame horizontal profile 500mm
S2012	10	Door frame horizontal profile 600mm
S2013	10	Door frame horizontal profile 800mm
S2014	10	Door frame horizontal profile 1000mm
S2015	10	Door frame corner pieces
S2016	100	Door frame corner nuts
S2017	10	Locking system center rod
S2018	10	Locking system rods 1100
S2019	10	Locking system rods 1400
S2020	10	Locking system rods 1600
S2021	10	Locking system rods 1800
S2022	10	Locking system rods 2000
S2023	10	Locking system rods 2200
S2024	10	Locking system cover
S2025	10	Plastic insert
S2026	10	Locking system plastic gear cover
S2027	10	Locking system gear
S2028	100	Locking system plastic gear cover screws
S2029	100	Locking system gear screw
S2030	10	Hinge base
S2031	10	Hinge pins
S2033	10	Lock catch double door
S2034	100	Countersunk extrude tite M6x12 screws
S2035	100	Cagenut M6 T=1.5mm
S2037	50	Lock system rod plastic holders
S2038	100	Lock system rod plastic holder nuts
S2039	50	MP top screw
S2040	100	Screw M6x12 DIN 7985 T30 Galv
S2041	50	MP bottom screw
S2042	40	Rear panel bracket
S2043	100	Bottom plate screw ST5.5x10
S2044	10	Middle bottom mounting profile 300mm
S2045	10	Middle bottom mounting profile 400mm
S2046	10	Middlebottom mounting profile 500mm
S2047	10	Middle bottom mounting profile600mm
S2048	10	Middle bottom mounting profile 800mm
S2049	10	Middle bottom mounting profile 1000mm
S2050	10	Middle top profile 300mm
S2051	10	Middle top profile 400mm
S2052	10	Middle top profile 500mm
S2053	10	Middle top profile 600mm
S2054	10	Middle top profile 800mm
S2055	10	Middle top profile 1000mm
S2056	100	IP plugs 5.5mm
S2057	100	IP plugs 8mm

Floor Standing Enclosures | Spare parts

Mild steel

Single door enclosure, compact version | EKS

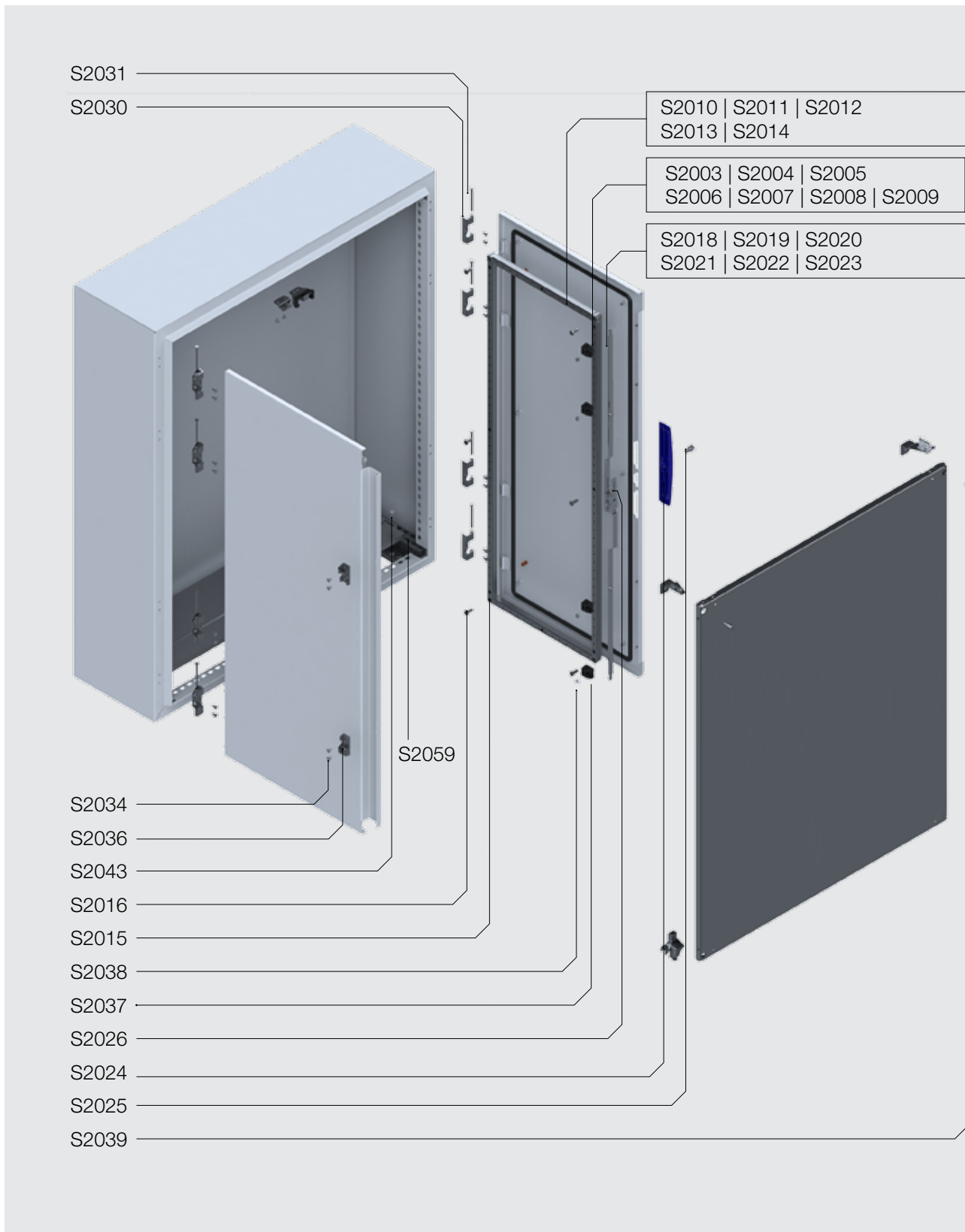


Spare part	Quantity	Description
S2003	10	Door frame vertical profile 1100mm
S2004	10	Door frame vertical profile 1200mm
S2005	10	Door frame vertical profile 1400mm
S2006	10	Door frame vertical profile 1600mm
S2007	10	Door frame vertical profile 1800mm
S2008	10	Door frame vertical profile 2000mm
S2009	10	Door frame vertical profile 2200mm
S2010	10	Door frame horizontal profile 400mm
S2011	10	Door frame horizontal profile 500mm
S2012	10	Door frame horizontal profile 600mm
S2013	10	Door frame horizontal profile 800mm
S2014	10	Door frame horizontal profile 1000mm
S2015	10	Door frame corner pieces
S2016	100	Door frame corner nuts
S2017	10	Locking system center rod
S2018	10	Locking system rods 1100
S2019	10	Locking system rods 1400
S2020	10	Locking system rods 1600
S2021	10	Locking system rods 1800
S2022	10	Locking system rods 2000
S2023	10	Locking system rods 2200
S2024	10	Locking system cover
S2025	10	Plastic insert
S2026	10	Locking system plastic gear cover
S2027	10	Locking system gear
S2028	100	Locking system plastic gear cover screws
S2029	100	Locking system gear screw
S2030	10	Hinge base
S2031	10	Hinge pins
S2032	10	Lock catch single door
S2034	100	Countersunk extrude tite M6x12 screws
S2035	100	Cagenut M6 T=1,5mm
S2037	50	Lock system rod plastic holders
S2038	100	Lock system rod plastic holder nuts
S2039	50	MP Top screw
S2040	100	Screw M6x12 DIN 7985 T30 Galv
S2041	50	MP bottom screw
S2043	100	Bottom plate screw ST5.5x10
S2056	100	IP plugs 5,5mm
S2057	100	IP plugs 8mm
S2058	5	Depth profile bottom left
S2059	5	Depth profile bottom right
S2060	5	Depth profile top left
S2061	5	Depth profile top right

Floor Standing Enclosures | Spare parts

Mild steel

Double door enclosure, compact version | EKD

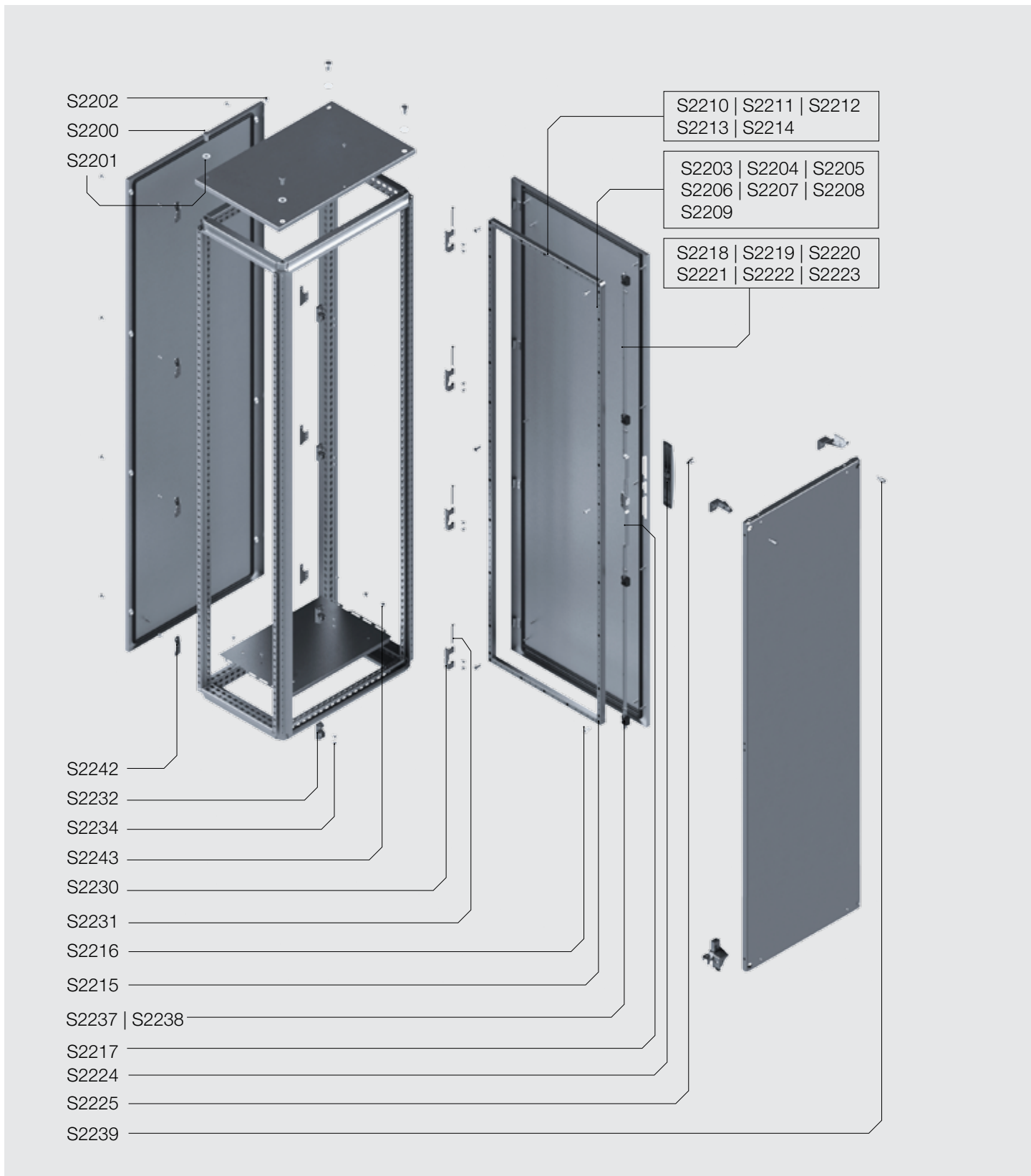


Spare part	Quantity	Description
S2003	10	Door frame vertical profile 1100mm
S2004	10	Door frame vertical profile 1200mm
S2005	10	Door frame vertical profile 1400mm
S2006	10	Door frame vertical profile 1600mm
S2007	10	Door frame vertical profile 1800mm
S2008	10	Door frame vertical profile 2000mm
S2009	10	Door frame vertical profile 2200mm
S2010	10	Door frame horizontal profile 400mm
S2011	10	Door frame horizontal profile 500mm
S2012	10	Door frame horizontal profile 600mm
S2013	10	Door frame horizontal profile 800mm
S2014	10	Door frame horizontal profile 1000mm
S2015	10	Door frame corner pieces
S2016	100	Door frame corner nuts
S2018	10	Locking system rods 1100
S2019	10	Locking system rods 1400
S2020	10	Locking system rods 1600
S2021	10	Locking system rods 1800
S2022	10	Locking system rods 2000
S2023	10	Locking system rods 2200
S2024	10	Locking system cover
S2025	10	Plastic insert
S2026	10	Locking system plastic gear cover
S2027	10	Locking system gear
S2028	100	Locking system plastic gear cover screws
S2029	100	Locking system gear screw
S2030	10	Hinge base
S2031	10	Hinge pins
S2034	10	Countersunk extrude tite M6x12 screws
S2035	100	Cagenut M6 T=1,5mm
S2036	100	Lock catch double door MultiK
S2037	50	Lock system rod plastic holders
S2038	100	Lock system rod plastic holder nuts
S2039	50	MP top screw
S2040	100	Screw M6x12 DIN 7985 T30 Galv
S2041	50	MP bottom screw
S2043	100	Bottom plate screw ST5.5x10
S2056	100	IP plugs 5,5mm
S2057	100	IP plugs 8mm
S2058	5	Depth profile bottom left
S2059	5	Depth profile bottom right
S2060	5	Depth profile top left
S2061	5	Depth profile top right
S2062	5	Depth profile bottom 400D-1600W
S2063	5	Depth profile bottom 500D-1600W
S2064	5	Depth profile top 400D-1600W
S2065	5	Depth profile top 500D-1600W

Floor Standing Enclosures | Spare parts

Stainless steel

Single door enclosure, combinable version | MCSS

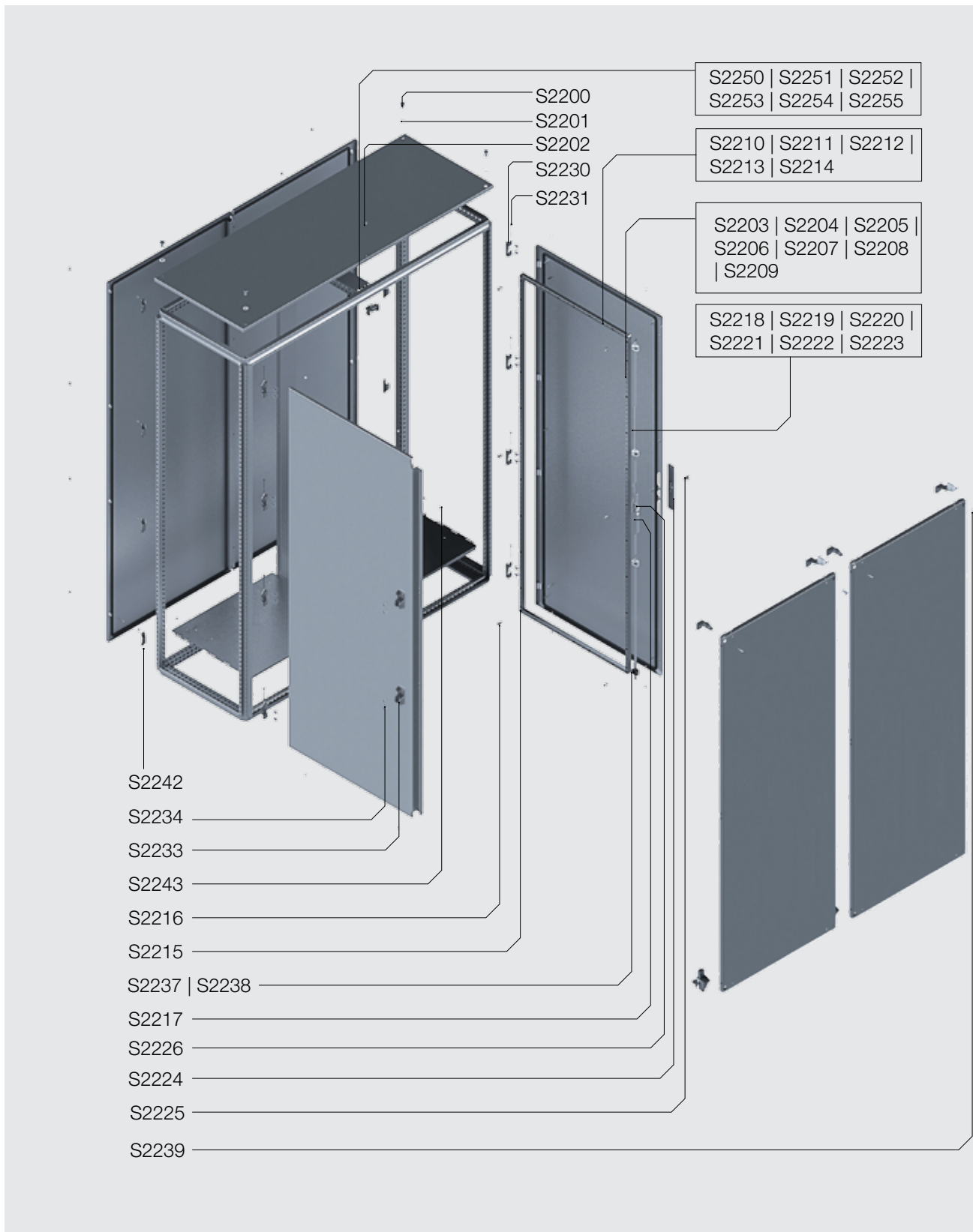


Spare part	Quantity	Description
S2200	100	Hexagon screw M12x20 DIN 933
S2201	100	M12 nylon washer
S2202	100	Extrude-tite screw M6x12
S2203	10	Door frame vertical profile 1100mm
S2204	10	Door frame vertical profile 1200mm
S2205	10	Door frame vertical profile 1400mm
S2206	10	Door frame vertical profile 1600mm
S2207	10	Door frame vertical profile 1800mm
S2208	10	Door frame vertical profile 2000mm
S2209	10	Door frame vertical profile 2200mm
S2210	10	Door frame horizontal profile 400mm
S2211	10	Door frame horizontal profile 500mm
S2212	10	Door frame horizontal profile 600mm
S2213	10	Door frame horizontal profile 800mm
S2214	10	Door frame horizontal profile 1000mm
S2215	10	Door frame corner pieces
S2216	100	Door frame corner nuts
S2217	10	Locking system center rod
S2218	10	Locking system rods 1100
S2219	10	Locking system rods 1400
S2222	10	Locking system rods 1600
S2221	10	Locking system rods 1800
S2222	10	Locking system rods 2000
S2223	10	Locking system rods 2200
S2224	10	Locking system cover
S2225	10	Plastic insert
S2226	10	Locking system plastic gear cover
S2227	10	Locking system gear
S2228	100	Locking system plastic gear cover screws
S2229	100	Locking system gear screw
S2230	10	Hinge base
S2231	10	Hinge pins
S2232	10	Lock catch single door
S2234	100	Countersunk extrude tite M6x12 screws
S2235	100	Cagenut M6 T=1,5mm
S2237	50	Lock system rod plastic holders
S2238	100	Lock system rod plastic holder nuts
S2239	50	MP top screw
S2240	100	Screw M6x12 DIN 7985 T30 Galv
S2241	50	MP bottom screw
S2242	40	Rear panel bracket
S2243	100	Bottom plate screw ST5.5x10
S2256	100	IP plugs 5,5mm
S2257	100	IP plugs 8mm

Floor Standing Enclosures | Spare parts

Stainless steel

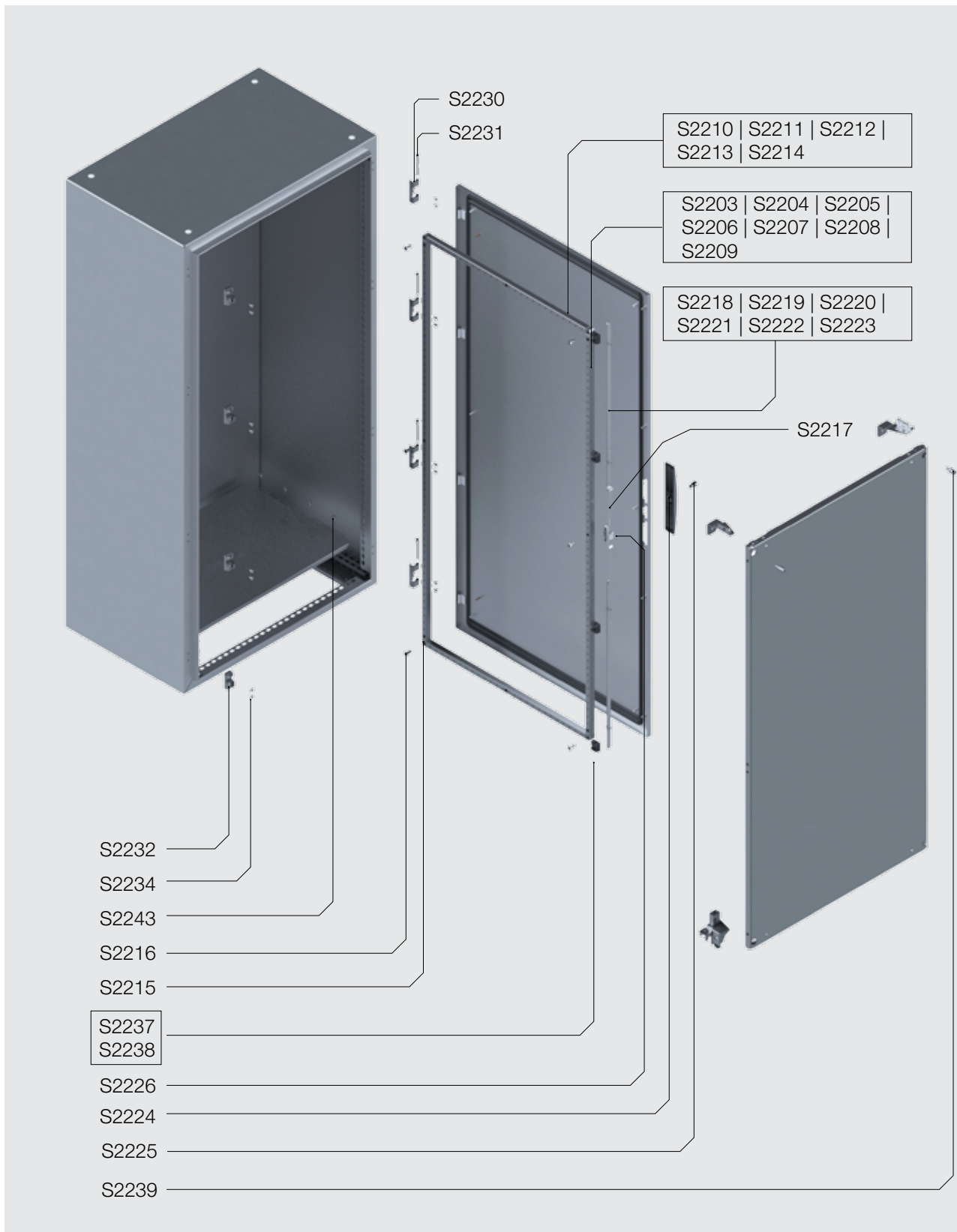
Double door enclosure, combinable version | MCDS



Spare part	Quantity	Description
S2200	100	Hexagon screw M12x20 DIN 933
S2201	100	M12 nylon washer
S2202	100	Extrude-tite screw M6x12
S2203	10	Door frame vertical profile 1100mm
S2204	10	Door frame vertical profile 1200mm
S2205	10	Door frame vertical profile 1400mm
S2206	10	Door frame vertical profile 1600mm
S2207	10	Door frame vertical profile 1800mm
S2208	10	Door frame vertical profile 2000mm
S2209	10	Door frame vertical profile 2200mm
S2210	10	Door frame horizontal profile 400mm
S2211	10	Door frame horizontal profile 500mm
S2212	10	Door frame horizontal profile 600mm
S2213	10	Door frame horizontal profile 800mm
S2214	10	Door frame horizontal profile 1000mm
S2215	10	Door frame corner pieces
S2216	100	Door frame corner nuts
S2217	10	Locking system center rod
S2218	10	Locking system rods 1100
S2219	10	Locking system rods 1400
S2222	10	Locking system rods 1600
S2221	10	Locking system rods 1800
S2222	10	Locking system rods 2000
S2223	10	Locking system rods 2200
S2224	10	Locking system cover
S2225	10	Plastic insert
S2226	10	Locking system plastic gear cover
S2227	10	Locking system gear
S2228	100	Locking system plastic gear cover screws
S2229	100	Locking system gear screw
S2230	10	Hinge base
S2231	10	Hinge pins
S2233	100	Lock catch double door
S2234	100	Countersunk extrude tite M6x12 screws
S2235	50	Cagenut M6 T=1,5mm
S2237	100	Lock system rod plastic holders
S2238	50	Lock system rod plastic holder nuts
S2239	100	MP top screw
S2240	50	Screw M6x12 DIN 7985 T30 Galv
S2241	40	MP bottom screw
S2242	100	Rear panel bracket
S2243	10	Bottom plate screw ST5.5x10
S2244	10	Middle bottom mounting profile 300mm
S2245	10	Middle bottom mounting profile 400mm
S2246	10	Middlebottom mounting profile 500mm
S2247	10	Middle bottom mounting profile600mm
S2248	10	Middle bottom mounting profile 800mm
S2249	10	Middle bottom mounting profile 1000mm
S2250	10	Middle top profile 300mm
S2251	10	Middle top profile 400mm
S2252	10	Middle top profile 500mm
S2253	10	Middle top profile 600mm
S2254	10	Middle top profile 800mm
S2255	100	Middle top profile 1000mm
S2256	100	IP plugs 5,5mm
S2257	50	IP plugs 8mm

Floor Standing Enclosures | Spare parts Stainless steel

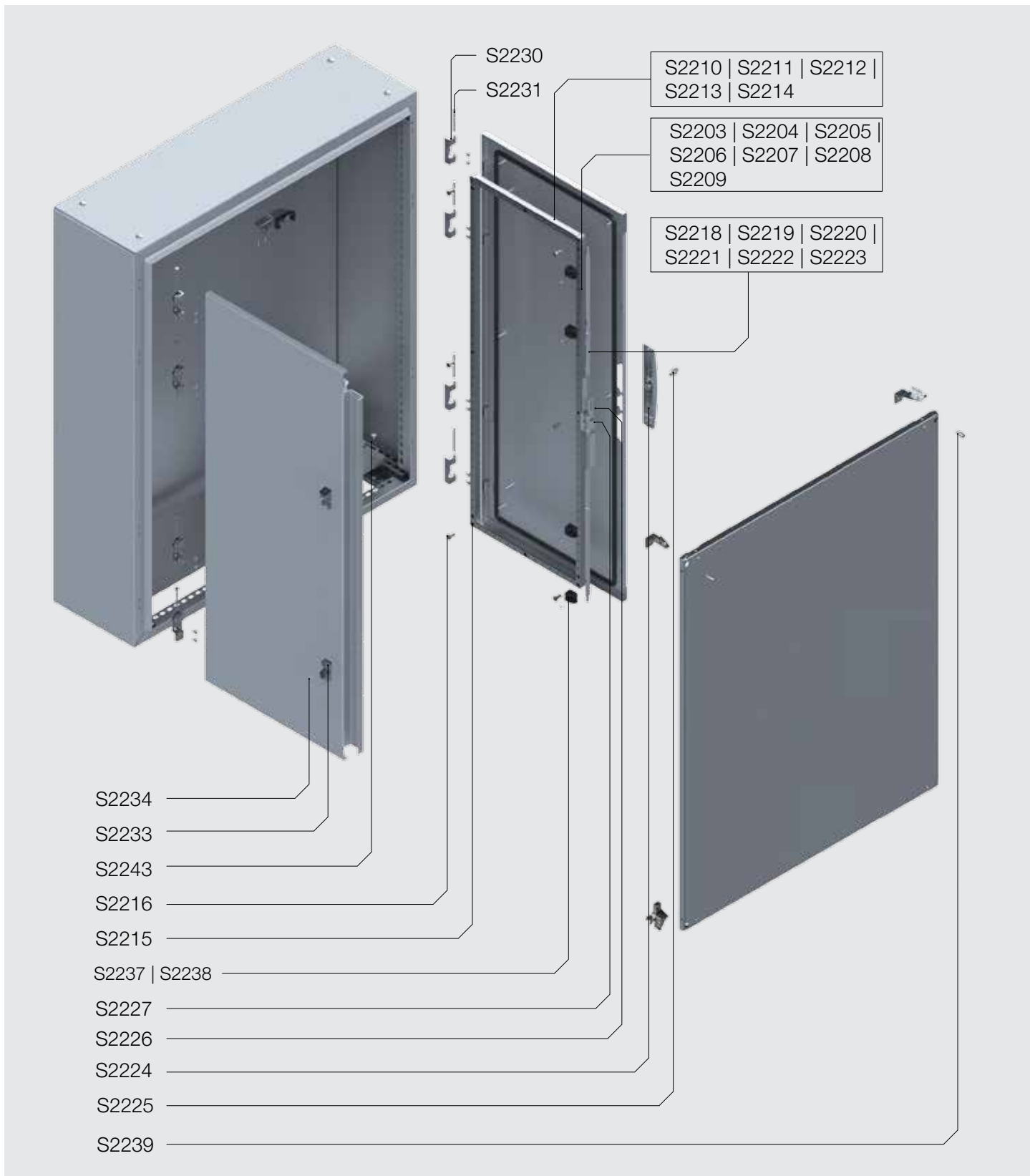
Single door enclosure, compact version | EKSS



Spare part	Quantity	Description
S2203	10	Door frame vertical profile 1100mm
S2204	10	Door frame vertical profile 1200mm
S2205	10	Door frame vertical profile 1400mm
S2206	10	Door frame vertical profile 1600mm
S2207	10	Door frame vertical profile 1800mm
S2208	10	Door frame vertical profile 2000mm
S2209	10	Door frame vertical profile 2200mm
S2210	10	Door frame horizontal profile 400mm
S2211	10	Door frame horizontal profile 500mm
S2212	10	Door frame horizontal profile 600mm
S2213	10	Door frame horizontal profile 800mm
S2214	10	Door frame horizontal profile 1000mm
S2215	10	Door frame corner pieces
S2216	100	Door frame corner nuts
S2217	10	Locking system center rod
S2218	10	Locking system rods 1100
S2219	10	Locking system rods 1400
S2222	10	Locking system rods 1600
S2221	10	Locking system rods 1800
S2222	10	Locking system rods 2000
S2223	10	Locking system rods 2200
S2224	10	Locking system cover
S2225	10	Plastic insert
S2226	10	Locking system plastic gear cover
S2227	10	Locking system gear
S2228	100	Locking system plastic gear cover screws
S2229	100	Locking system gear screw
S2230	10	Hinge base
S2231	10	Hinge pins
S2232	10	Lock catch single door
S2234	100	Countersunk extrude tite M6x12 screws
S2235	100	Cagenut M6 T=1,5mm
S2237	50	Lock system rod plastic holders
S2238	100	Lock system rod plastic holder nuts
S2239	50	MP top screw
S2240	100	Screw M6x12 DIN 7985 T30 Galv
S2241	50	MP bottom screw
S2243	100	Bottom plate screw ST5.5x10
S2256	100	IP plugs 5,5mm
S2257	100	IP plugs 8mm
S2258	5	Depth profile bottom left
S2259	5	Depth profile bottom right
S2260	5	Depth profile top left
S2261	5	Depth profile top right

Floor Standing Enclosures | Spare parts Stainless Steel

Double door enclosure, combinable version | EKDS



Spare part	Quantity	Description
S2203	10	Door frame vertical profile 1100mm
S2204	10	Door frame vertical profile 1200mm
S2205	10	Door frame vertical profile 1400mm
S2206	10	Door frame vertical profile 1600mm
S2207	10	Door frame vertical profile 1800mm
S2208	10	Door frame vertical profile 2000mm
S2209	10	Door frame vertical profile 2200mm
S2210	10	Door frame horizontal profile 400mm
S2211	10	Door frame horizontal profile 500mm
S2212	10	Door frame horizontal profile 600mm
S2213	10	Door frame horizontal profile 800mm
S2214	10	Door frame horizontal profile 1000mm
S2215	10	Door frame corner pieces
S2216	100	Door frame corner nuts
S2218	10	Locking system rods 1100
S2219	10	Locking system rods 1400
S2222	10	Locking system rods 1600
S2221	10	Locking system rods 1800
S2222	10	Locking system rods 2000
S2223	10	Locking system rods 2200
S2224	10	Locking system cover
S2225	10	Plastic insert
S2226	10	Locking system plastic gear cover
S2227	10	Locking system gear
S2228	100	Locking system plastic gear cover screws
S2229	100	Locking system gear screw
S2230	10	Hinge base
S2231	10	Hinge pins
S2234	10	Countersunk extrude tite M6x12 screws
S2235	100	Cagenut M6 T=1,5mm
S2236	100	Lock catch double door MultiK
S2237	50	Lock system rod plastic holders
S2238	100	Lock system rod plastic holder nuts
S2239	50	MP top screw
S2240	100	Screw M6x12 DIN 7985 T30 Galv
S2241	50	MP bottom screw
S2243	100	Bottom plate screw ST5.5x10
S2256	100	IP plugs 5,5mm
S2257	100	IP plugs 8mm
S2258	5	Depth profile bottom left
S2259	5	Depth profile bottom right
S2260	5	Depth profile top left
S2261	5	Depth profile top right
S2262	5	Depth profile bottom 400D-1600W
S2263	5	Depth profile bottom 500D-1600W
S2264	5	Depth profile top 400D-1600W
S2265	5	Depth profile top 500D-1600W



Replacement and Spare Parts Catalogue. Version 1.0 – 2014.

www.eldon.com